

# SHORT CIRCUITS

Type F, DC - 3 GHz

## SPECIFICATIONS:

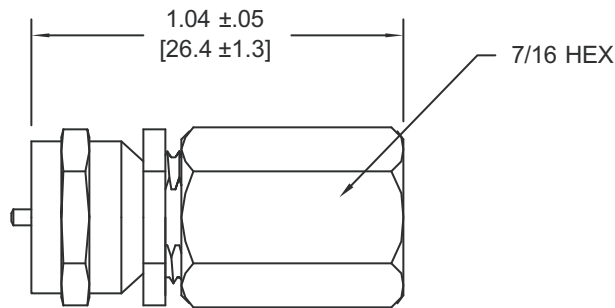
Models: 7017, 7018

**RoHS**  
Compliant

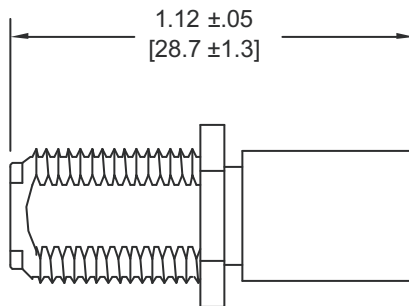


<b>Electrical:</b> Frequency Range _____ DC - 3 GHz Reflection _____ 100% Nominal
<b>Mechanical:</b> Connectors _____ Bright Acid Tin Plated Brass Conductors _____ Nickel Plated Brass & Gold Plated Beryllium Copper

Model Number: 7017  
Type F Male



Model Number: 7018  
Type F Female



Note: Dimensions in Brackets are Expressed in Millimeters and are for Reference Only.

7017-SHT: REV F



Aeroflex / Inmet, Inc. • 300 Dino Drive, Ann Arbor, MI 48103 • U.S.A.  
888-244-6638 or 734-426-5553 • FAX: 734-426-5557  
www.aeroflex.com/inmet • inmet@aeroflex.com