

DC BLOCKS

SMA, 7 kHz - 23 GHz, Inner Only

SPECIFICATIONS:

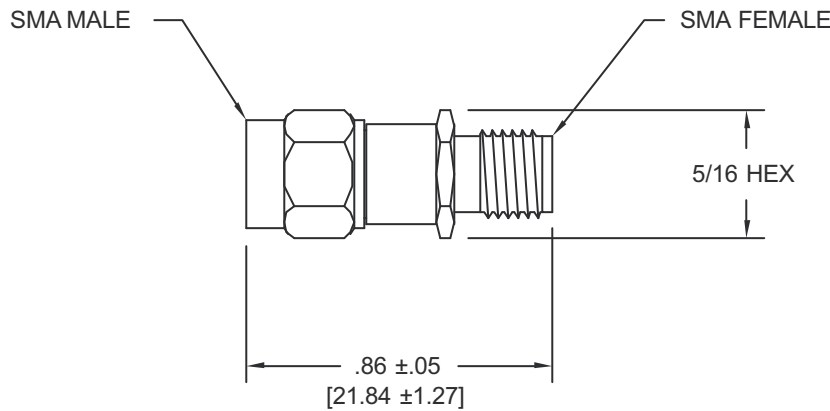
Models: 8535

RoHS
Compliant

Electrical:	
Frequency Range	7 KHz - 23 GHz
VSWR (100 KHz - 23 GHz)	1.35:1 Max.
Impedance	50 Ohms
Insertion Loss	
100 KHz - 12.4 GHz	0.5 dB Max.
12.4 - 23 GHz	0.75 dB Max.
Voltage Rating	100 Volts
Operating Temp. Range	-65°C to +125°C
< -3 dB Bandwidth	7 KHz - 23 GHz
Mechanical:	
SMA Connectors	Passivated Stainless Steel
<small>Mates with MIL-STD-348</small>	
Conductors	Gold Plated Beryllium Copper



Model Number: **8535**



Note: Dimensions in Brackets are Expressed in Millimeters and are for Reference Only.

8535: REVA



Aeroflex / Inmet, Inc. • 300 Dino Drive, Ann Arbor, MI 48103 • U.S.A.
888-244-6638 or 734-426-5553 • FAX: 734-426-5557
www.aeroflex.com/inmet • inmet@aeroflex.com