

ATTENUATORS

BNC, DC - 4 GHz, 2 Watts

SPECIFICATIONS:

Models: 9033-XX

RoHS
Compliant

AEROFLEX
A passion for performance.

Electrical:

Frequency Range _____ DC - 4 GHz
Standard dB Values* _____ 0 - 10, 12, 15, 20, 30 dB
In 1 dB Increments

Attenuation Accuracy

0 - 6 dB _____ ± 0.3 dB
7 - 20 dB _____ ± 0.5 dB
21 - 30 dB _____ ± 0.75 dB

VSWR _____ 1.25:1 Max

Input Power _____ 2 Watts Avg. @ +25°C
Derated Linearly to 0.5 Watts @ +125°C

Peak Power _____ 250 Watts Max.
(5uSec Pulse, .05% Duty Cycle)

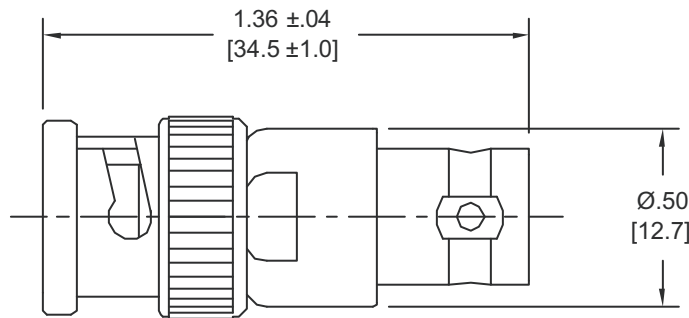
Impedance _____ 50 Ohms

Operating Temp. Range _____ -65°C to +125°C

Mechanical:

BNC Connectors _____ Nickel Plated Brass
Mates with MILSTD-348

Conductors _____ Gold Plated Beryllium Copper or Brass



MALE/MALE & FEMALE/FEMALE VERSIONS ARE ALSO AVAILABLE, SEE INMET MODEL NUMBERS 9014, 9015 & 9016 FOR MORE BNC OPTIONS

HOW TO ORDER:

Model Number: **9033-XX**
└─── dB Value

Ordering Examples:

Model Number: **9033-20**
20 dB; BNC - Male/Fem

Model Number: **9033-6**
6 dB; BNC - Male/Fem

Note: Dimensions in Brackets are Expressed in Millimeters and are for Reference Only.

*Other dB values available. Units that operate over a more specific frequency band and/or offer very low return loss (VSWR) are also available.

9033: REV H

AEROFLEX
INMET

Aeroflex / Inmet, Inc. • 300 Dino Drive, Ann Arbor, MI 48103 • U.S.A.
888-244-6638 or 734-426-5553 • FAX: 734-426-5557
www.aeroflex.com/inmet • inmet-sales@eroflex.com