

# TERMINATIONS

TNC, up to 4.0 GHz, 300 Watts

## SPECIFICATIONS:

Models: TTXXM-300W & TTXXF-300W

**RoHS**  
Compliant

<b>Electrical:</b>	
Frequency Range	DC - 4.0 GHz
Standard Freq. Values	2.5 & 4 GHz
VSWR	
DC - 1.5 GHz	1.15:1 Max.
1.5 - 2.5 GHz	1.25:1 Max.
2.5 - 4.0 GHz	1.35:1 Max.
Input Power	300 Watts Avg. @ +25°C
	Derated Linearly to 60 Watts @ +125°C
Peak Power	2 kW Max.
	(5uSec Pulse, .05% Duty Cycle)
Impedance	50 Ohms
Operating Temp Range	-55°C to +125°C
<b>Mechanical:</b>	
TNC Connectors*	Passivated Stainless Steel
	Mates with MIL-STD-348
Conductors	Gold Plated Beryllium Copper
Housing	Anodized Aluminum
* TNC Connectors are 18 GHz Mode Free.	



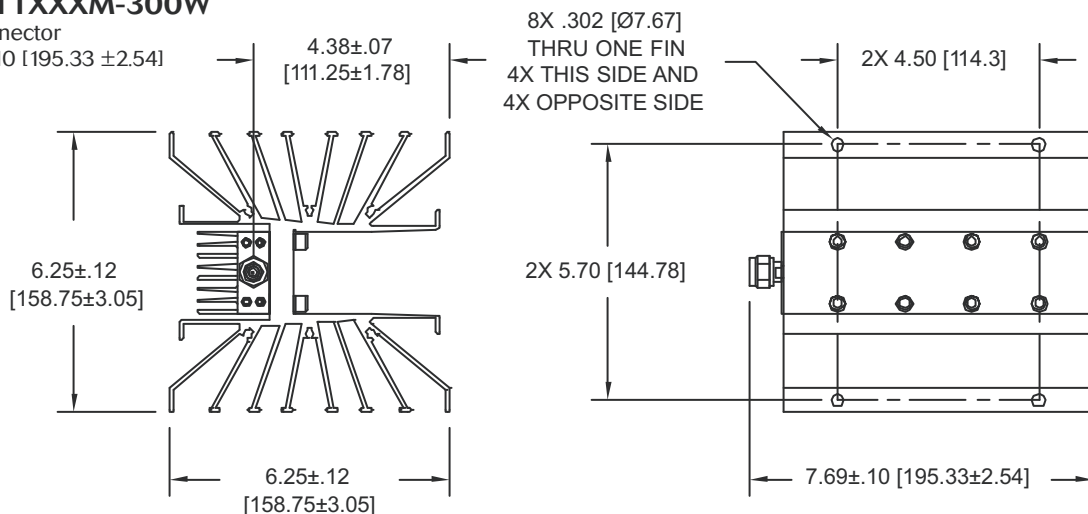
Units must be Positioned in such a way as to Allow for Free Air Flow Around fins to Assure Performance

Model Number: **TTXXF-300W**

TNC Female Connector  
Length: 7.79 ±.10 [197.87 ±2.54]

Model Number: **TTXXM-300W**

TNC Male Connector  
Length: 7.69 ±.10 [195.33 ±2.54]  
Pictured



## HOW TO ORDER:

Model Number: **TTXXXY-300W**

Freq. Range	Connector Configuration
020 = DC - 2.5 GHz	F = Female
040 = DC - 4.5 GHz	M = Male

## Ordering Examples:

Model Number: **TT020M-300W**  
DC - 2.5 GHz, TNC Male CONN.

Model Number: **TT040F-300W**  
DC - 4 GHz, TNC Female CONN.

Note: Dimensions in Brackets are Expressed in Millimeters and are for Reference Only.  
Design specifications are subject to change without notice.  
Contact factory for technical specifications before purchasing or use.

TTXX-300W: REV C



Aeroflex / Inmet, Inc. • 300 Dino Drive, Ann Arbor, MI 48103 • U.S.A.  
888-244-6638 or 734-426-5553 • FAX: 734-426-5557  
www.aeroflex.com/inmet • inmet@aeroflex.com