

TERMINATIONS

TNC, up to 6.0 GHz, 100 Watts

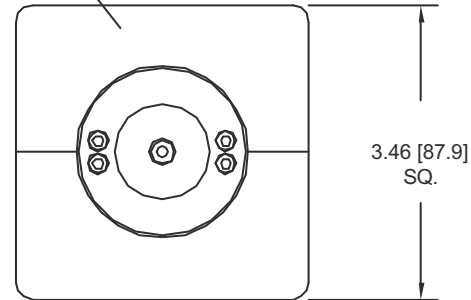
SPECIFICATIONS:

Models: TTXXXM-100W & TTXXXF-100W

RoHS
Compliant

Electrical:	
Frequency Range _____	DC - 6.0 GHz
Standard Freq. Values _____	2.5 & 6 GHz
VSWR	
DC - 1.5 GHz _____	1.20:1 Max.
1.5 - 2.5 GHz _____	1.30:1 Max.
2.5 - 6.0 GHz _____	1.40:1 Max.
Input Power _____	100 Watts Avg.
	Derated Linearly to 20 Watts @ +125°C
Peak Power _____	1 kW Max.
	(5uSec Pulse, .05% Duty Cycle)
Impedance _____	50 Ohms
Operating Temp. Range _____	-55°C to +125°C
Mechanical:	
TNC Connectors _____	Passivated Stainless Steel
	Mates with MIL-STD-348
Conductors _____	Gold Plated Beryllium Copper
Housing _____	Anodized Aluminum

Custom Mtg. hole Config.
may be Added to this
Surface.



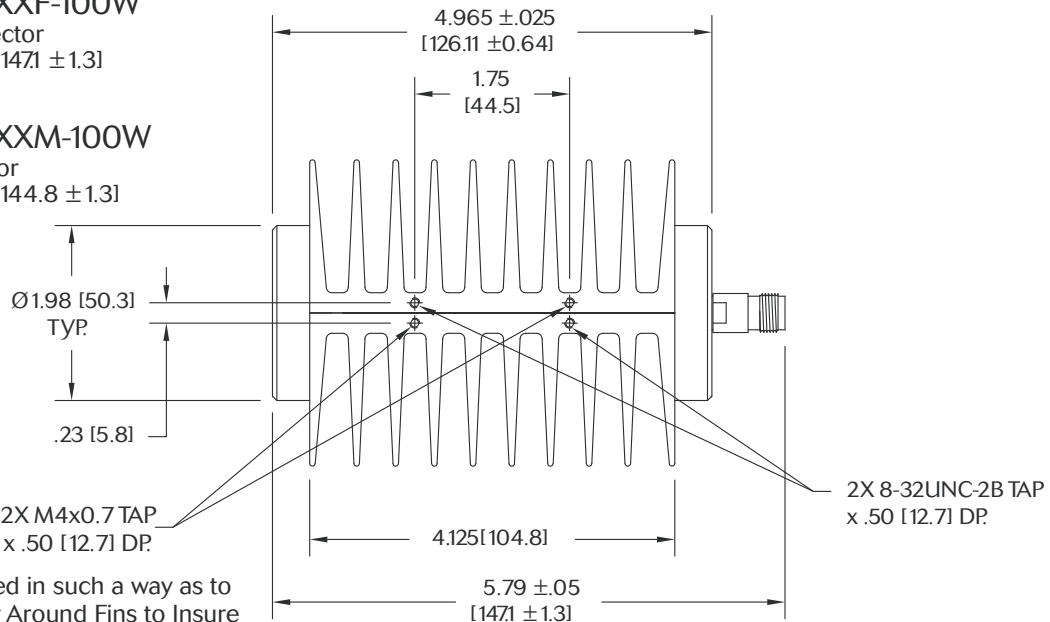
END VIEW
TYPICAL

Model Number: TTXXXF-100W

TNC Female Connector
Length: 5.79 ±.05 [147.1 ±1.3]
Pictured

Model Number: TTXXXM-100W

TNC Male Connector
Length: 5.70 ±.05 [144.8 ±1.3]



Units must be Mounted in such a way as to
Allow for Free Air Flow Around Fins to Insure
Performance

HOW TO ORDER:

Model Number: TTXXXY-100W

Freq. Range	Connector Configuration
020 = DC - 2.5 GHz	F = Female
060 = DC - 6 GHz	M = Male

Ordering Examples:

Model Number: TT020M-100W
DC - 2.5 GHz, TNC Male CONN.

Model Number: TT060F-100W
DC - 6 GHz, TNC Female CONN.

Note: Dimensions in Brackets are Expressed in Millimeters and are for Reference Only.
Design specifications are subject to change without notice.
Contact factory for technical specifications before purchasing or use.

TTXXXY-100W: REV E



Aeroflex / Inmet, Inc. • 300 Dino Drive, Ann Arbor, MI 48103 • U.S.A.
888-244-6638 or 734-426-5553 • FAX: 734-426-5557
www.aeroflex.com/inmet • inmet@aeroflex.com