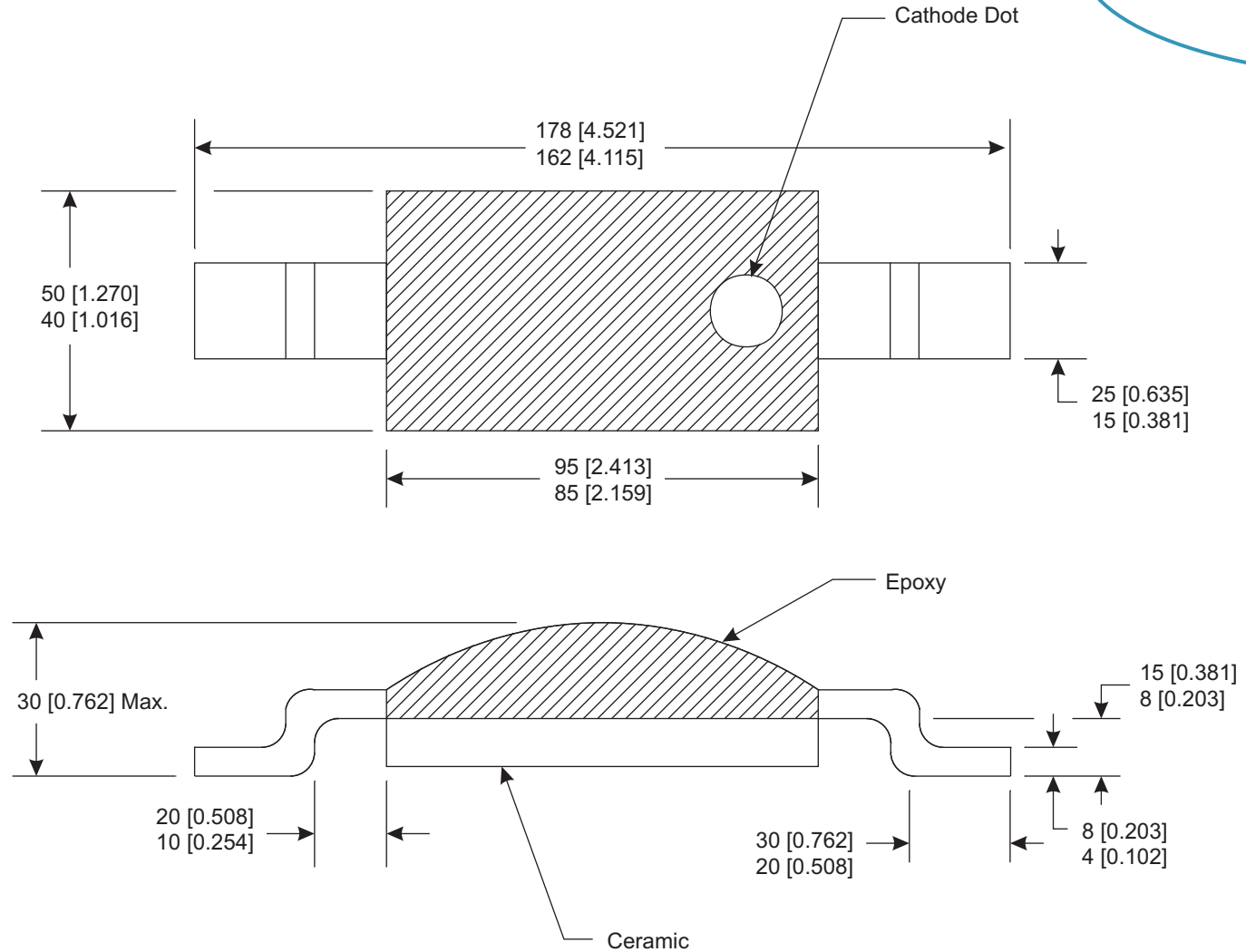


E28X

Cp=0.08pF
Lp=0.4nH



Dimensions in mils [mm]