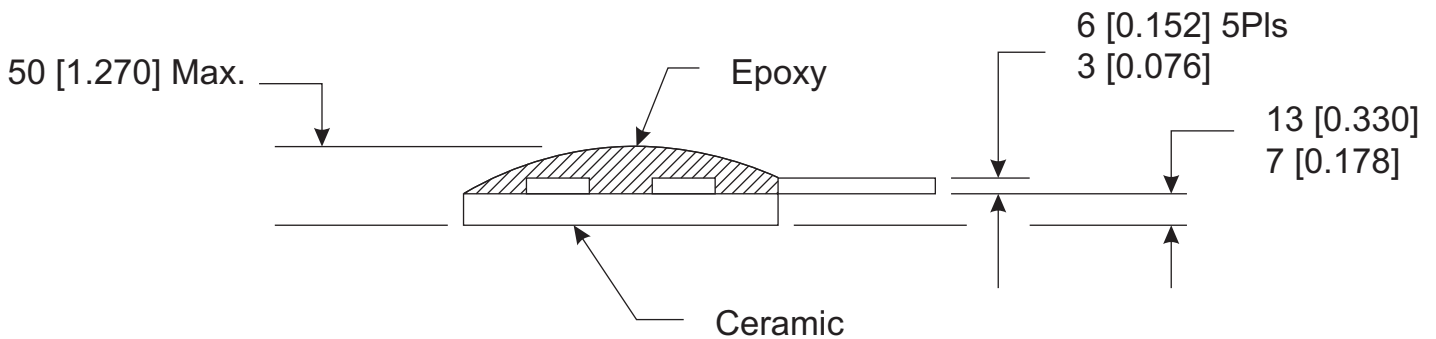
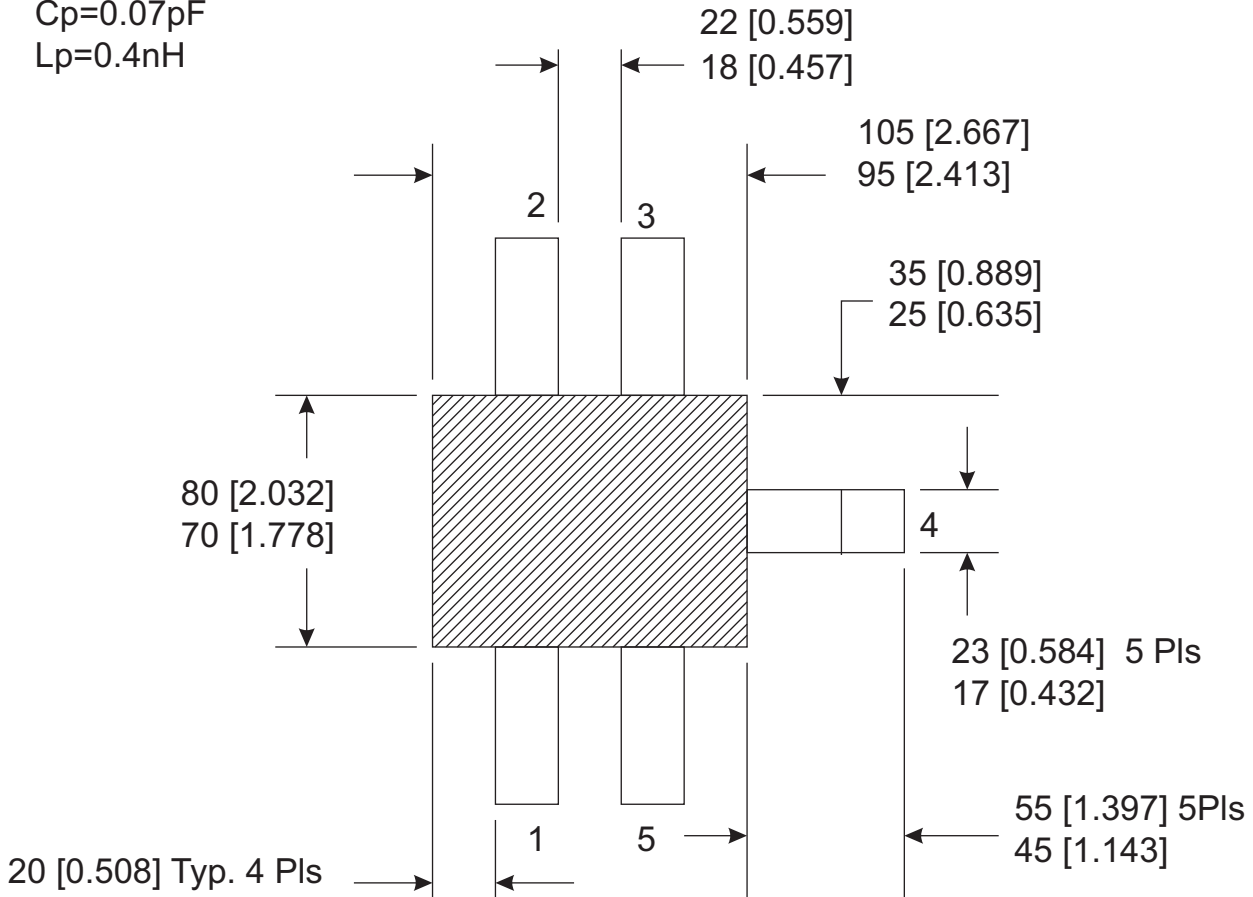


E50

Cp=0.07pF
Lp=0.4nH



Dimensions in mils [mm]