

ISO Series

Single Junction Drop-in Isolator

✓ **RoHS**

AEROFLEX
A passion for performance.



Description:

Drop-in isolators accommodate the major cellular applications. These devices offer a guaranteed specification at very competitive pricing. Devices are fully tested to handle shock, vibration, thermal shock and moisture, making them suitable for base station and other infrastructure environments. The isolator provides a non-reciprocal transmission path. The isolator uses ferrite material which in the presence of a magnetic field gives this nonreciprocal operation. As port 1 is the input port, energy reflected from port 2 is transmitted to a termination (dummy load) where it is dissipated as heat.

Features:

- Low cost
- Custom products available for high volume applications
- Good temperature stability
- Fully RoHS compliant
 - No beryllium oxide
 - No magnetic nickel in any of the components
- All metal surfaces in the isolator are corrosion resistant
- House: Stainless steel, steel, copper or aluminum (plated),
Tab: Brass (plated)

中国南京江宁技术开发区双龙大道 1706 号 B 厂房 1 层西侧邮编: 211100

+86 25 52122735 • Fax: +86 25 52122775 • www.aeroflex.com/microwave • Nanjing.sales@eroflex.com

Revision Date: 12/15/06

Specifications:

Aeroflex Part Number	Frequency (MHz)	Dimensions (Inch)	Power (W)	Reverse Power (W)	Attenuation (dB)	Return Loss (dB) MIN	VSWR MAX	Insertion Loss (dB) MAX	Isolation (dB) MIN	Working Temp (°C)
ISO-900-03CCW	925-960	1	150	100	0,20,30	26	1.10:1	0.2	26	-20~80
ISO-900-03CW	925-960	1	150	100	0,20,30	26	1.10:1	0.2	26	-20~80
ISO-800-01CCW	869-894	1	150	100	0,20,30	26	1.10:1	0.2	26	-20~80
ISO-800-01CW	869-894	1	150	100	0,20,30	26	1.10:1	0.2	26	-20~80
ISO-900W-01CCW	869-960	1	150	100	0,20,30	26	1.10:1	0.2	26	-20~80
ISO-900W-01CW	869-960	1	150	100	0,20,30	26	1.10:1	0.2	26	-20~80
ISO-1800-01CCW	1805-1880	1 OR 3/4	150	100	0,20,30	26	1.10:1	0.2	26	-20~80
ISO-1800-01CW	1805-1880	1 OR 3/4	150	100	0,20,30	26	1.10:1	0.2	26	-20~80
ISO-1900-01CCW	1930-1990	1 OR 3/4	150	100	0,20,30	26	1.10:1	0.2	26	-20~80
ISO-1900-01CW	1930-1990	1 OR 3/4	150	100	0,20,30	26	1.10:1	0.2	26	-20~80
ISO-1800W-01CCW	1805-1990	1 OR 3/4	150	100	0,20,30	26	1.10:1	0.2	26	-20~80
ISO-1800W-01CW	1805-1990	1 OR 3/4	150	100	0,20,30	26	1.10:1	0.2	26	-20~80

- Notes:
1. Power handling, we can supply at 60W/80W/100W/150W per customer request.
 2. IMD designs with a typical specification at -56dBc Max @2*60W Fwd CW and other custom designs available.
 3. Storage temperature is -40°C to 125°C

Aeroflex Part Number	Frequency (MHz)	Forward Power (W)	Reverse Power (W)	Attenuation (dB)	Return Loss(dB) MIN	VSWR MAX	Insertion Loss (dB) MAX	Isolation (dB) MIN	Working temp (°C)
ISO-900-04ECW	923-962	70	65	10/20/30	21	1.19	0.35	22	0 to 85
ISO-900-04ECCW	923-962	70	65	10/20/30	21	1.19	0.35	22	0 to 85
ISO-1800-04ECW	1803-1882	50	45	10/20/30	21	1.19	0.35	22	0 to 85
ISO-1800-04ECCW	1803-1882	50	45	10/20/30	21	1.19	0.35	22	0 to 85
ISO-1900-04ECW	1982-1992	50	45	10/20/30	21	1.19	0.35	22	0 to 85
ISO-1900-04ECCW	1982-1992	50	45	10/20/30	21	1.19	0.35	22	0 to 85

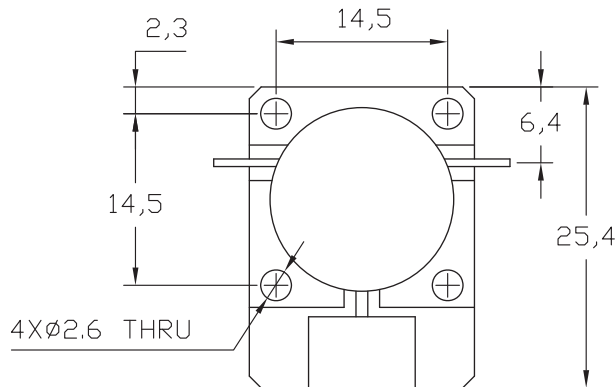
- Notes:
1. Measured with POUT from test instrument +5 to +10 dBm.
 2. The cable connecting to port1 and port 2 shall be equipped with 6dB to 10dB attenuator at the open end.
 3. Design offering alternate frequencies, wider frequency bands, and different attenuation levels available upon request.
 4. Storage temperature is -40°C to 125°C.

ISO Series Single Junction Drop-in Isolator

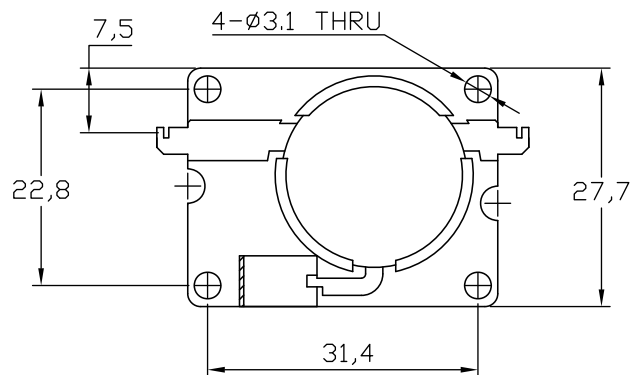
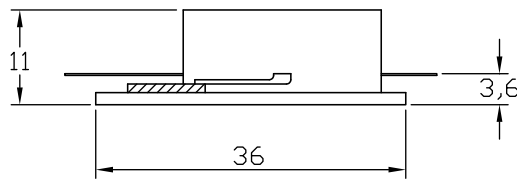
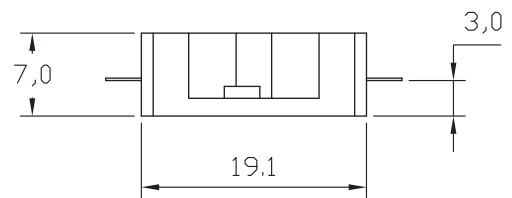
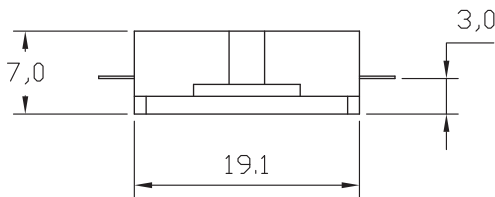
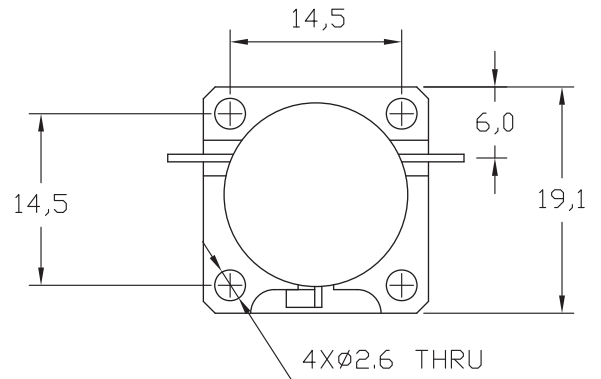


Outline Drawings:

1 Inch Drop In



3/4 Inch Drop In



Note: All dimensions are in mm.

中国南京江宁技术开发区双龙大道 1706 号 B 厂房 1 层西侧邮编: 211100

+86 25 52122735 • Fax: +86 25 52122775 • www.aeroflex.com/microwave • Nanjing.sales@eroflex.com

Aeroflex Nanjing

Aeroflex Microelectronic Solutions

1st Floor, West Side, Factory B
1706 Shuang Long Da Dao
Jiangning Economic & Technological Development Zone
Nanjing 211100 P.R.China

Phone: +86 25 52122735

Fax: +86 25 52122775

www.aeroflex.com/microwave

Nanjing.sales@eroflex.com

Aeroflex Microelectronic Solutions (Nanjing) Co., Ltd., reserves the right to make changes to any products and services herein at any time without notice. Consult Aeroflex or an authorized sales representative to verify that the information in this data sheet is current before using this product. Aeroflex does not assume any responsibility or liability arising out of the application or use of any product or service described herein, except as expressly agreed to in writing by Aeroflex; nor does the purchase, lease, or use of a product or service from Aeroflex convey a license under any patent rights, copyrights, trademark rights, or any other of the intellectual rights of Aeroflex or of third parties.

Copyright 2006 Aeroflex Microelectronic Solutions (Nanjing) Co., Ltd. All rights reserved.



Our passion for performance is defined by three attributes represented by these three icons: solution-minded, performance-driven and customer-focused.