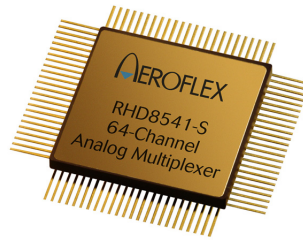


RadHard-by-Design RHD8541 64-Channel Analog Multiplexer

www.aeroflex.com/RHDseries

February 28, 2012



FEATURES

- 64 channels provided by four 16-channel multiplexers
- Single power supply operation at +3.3V to +5V
- Radiation performance
 - Total dose: $>1\text{Mrad}(\text{Si})$, Dose rate = 50 - 300 rads(Si)/s
 - ELDRS Immune
 - SEL Immune: $>100\text{ MeV}\cdot\text{cm}^2/\text{mg}$
 - Neutron Displacement Damage: $>10^{14}\text{ neutrons}/\text{cm}^2$
- Full military temperature range
- Low power consumption $< 4.0\text{mW}$
- CMOS analog switching allows rail to rail operation and low switch impedance
- Two address busses A(0-3) & B(0-3) and four enable lines afford flexible organization
- Designed for aerospace and high reliability space applications
- Packaging – Hermetic ceramic
 - 96 leads, 1.320" Sq x 0.200"Ht quad flat pack
 - Weight - 15 grams max
- Aeroflex Plainview's Radiation Hardness Assurance Plan is DLA Certified to MIL-PRF-38534, Appendix G.

GENERAL DESCRIPTION

Aeroflex's RHD8541 is a radiation hardened, single supply, 64-Channel Multiplexer MCM (multi-chip module). The RHD8541 design uses specific circuit topology and layout methods to mitigate total ionization dose effects and single event latchup. These characteristics make the RHD8541 especially suited for the harsh environment encountered in Deep Space missions. It is available in a 96 lead High Temperature Co-Fired Ceramic (HTCC) Quad Flatpack (CQFP). It is guaranteed operational from -55°C to $+125^{\circ}\text{C}$. Available screened in accordance with MIL-PRF-38534 Class K, the RHD8541 is ideal for demanding military and space applications.

ORGANIZATION AND APPLICATION

The RHD8541 consists of four, single supply, 16-Channel Multiplexers arranged as shown in the Block Diagram. The RHD8541 design is inherently radiation tolerant.

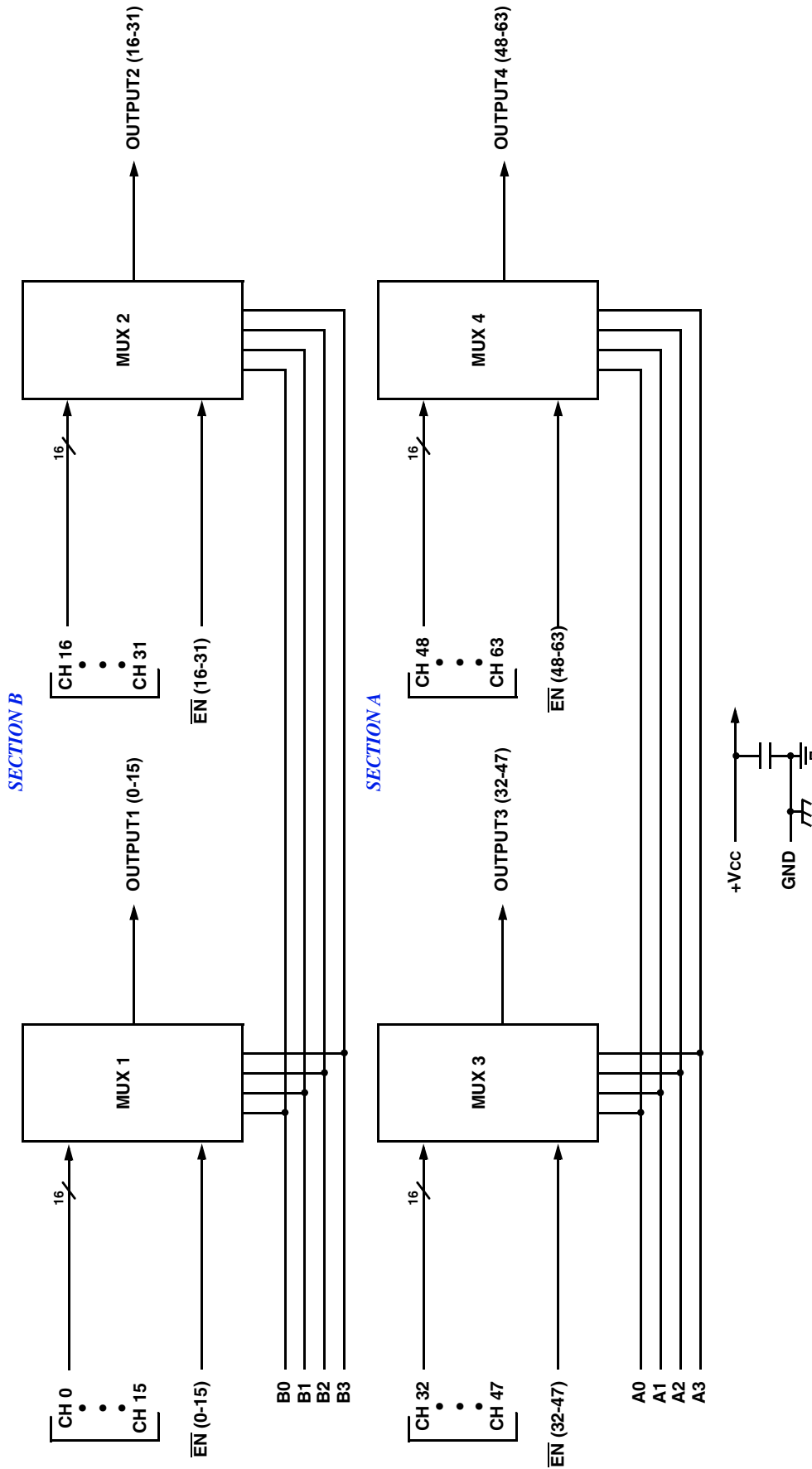
The device will not latch with SEU events to above $100\text{MeV}\cdot\text{cm}^2/\text{mg}$. Total dose degradation is minimal to above $1\text{Mrad}(\text{Si})$. Displacement damage environments to neutron fluence equivalents in the mid 10^{14} neutrons per cm^2 range are readily tolerated. There is no sensitivity to low-dose rate (ELDRS) effects. SEU effects are application dependant.

A SECTION

Thirty-two (32) channels addressable by bus A(0-3), in two 16-channel blocks, each block enabled separately.

B SECTION

Thirty-two (32) channels addressable by bus B(0-3), in two 16-channel blocks, each block enabled separately.



RHD8541 64-CHANNEL ANALOG MUX BLOCK DIAGRAM

ABSOLUTE MAXIMUM RATINGS ^{1/}

Parameter	Range	Units
Case Operating Temperature Range	-55 to +125	°C
Storage Temperature Range	-65 to +150	°C
Supply Voltage +V _{CC} (Pin 44)	+3.0 to +6.0	V
Digital Input Overvoltage V _{EN} (Pins 5, 6, 91, 92), V _A (Pins 1, 3, 93, 95), V _B (Pins 2, 4, 94, 96)	< V _{CC} +0.4 > GND -0.4	V V
Analog Input Over Voltage V _{IN} (CH0-CH63)	< V _{CC} +0.4 > GND -0.4	V

Notes:

^{1/} All measurements are made with respect to ground.

NOTICE: Stresses above those listed under 'Absolute Maximum Ratings' may cause permanent damage to the device. These are stress rating only; functional operation beyond the 'Operation Conditions' is not recommended and extended exposure beyond the 'Operation Conditions' may affect device reliability.

RECOMMENDED OPERATING CONDITIONS ^{1/}

Symbol	Parameter	Typical	Units
+V _{CC}	Power Supply Voltage	3.3 to 5.0	V
V _{ENL} , V _{VAL}	Logic Low Level	30% V _{CC}	V
V _{ENH} , V _{VAH}	Logic High Level	70% V _{CC}	V

DC ELECTRICAL PERFORMANCE CHARACTERISTICS ^{1/}

(T_c = -55°C to +125°C, +V_{CC} = +5V - Unless otherwise specified)

Parameter	Symbol	Conditions	Min	Max	Units
Supply Current +V _{CC}	+I _{CC}	$\overline{EN} = 30\% V_{CC}$	0	40	μA
	+I _{SBY}	$\overline{EN} = 70\% V_{CC}$	0	40	μA
Address Input Current A(0-3)	I _{AL} (0-3)A	V _A = 30% V _{CC}	-100	100	nA
	I _{AH} (0-3)A	V _A = 70% V _{CC}	-100	100	nA
	I _{AL} (0-3)B	V _B = 30% V _{CC}	-100	100	nA
	I _{AH} (0-3)B	V _B = 70% V _{CC}	-100	100	nA
Enable Input Current \overline{EN}	I _{ENL} (0-15)	V _{EN} (0-15) = 30% V _{CC}	-50	50	nA
	I _{ENH} (0-15)	V _{EN} (0-15) = 70% V _{CC}	-50	50	nA
	I _{ENL} (16-31)	V _{EN} (16-31) = 30% V _{CC}	-50	50	nA
	I _{ENH} (16-31)	V _{EN} (16-31) = 70% V _{CC}	-50	50	nA
	I _{ENL} (32-47)	V _{EN} (32-47) = 30% V _{CC}	-50	50	nA
	I _{ENH} (32-47)	V _{EN} (32-47) = 70% V _{CC}	-50	50	nA
	I _{ENL} (48-63)	V _{EN} (48-63) = 30% V _{CC}	-50	50	nA
	I _{ENH} (48-63)	V _{EN} (48-63) = 70% V _{CC}	-50	50	nA

DC ELECTRICAL PERFORMANCE CHARACTERISTICS 1/ (continued)

(Tc = -55°C to +125°C, +Vcc = +5V - Unless otherwise specified)

Parameter	Symbol	Conditions	Min	Max	Units	
High Input Leakage Current (CH0-CH63)	IINLK ₅	V _{IN} = +5V, V _{EN} = 70% V _{CC} , Output and all unused MUX inputs under test = 0V	-50	50	nA	
Low Input Leakage Current (CH0-CH63)	IINLK ₀	V _{IN} = 0V, V _{EN} = 70% V _{CC} , Output and all unused MUX inputs under test = +5V	-50	50	nA	
Output Leakage Current V _{OUT} (pins 25,26, 68 & 70)	IOUTLK	V _{OUT} = +5V, V _{EN} = 70% V _{CC} , All inputs grounded except channel being tested. 3/, 4/	-50	50	nA	
Switch ON Resistance OUTPUTS (pins 25,26, 68 & 70) 6/	RDS(ON)	V _{IN} = 0V, V _{IN} = +2.5V, V _{IN} = +5V V _{EN} = 30% V _{CC} I _{OUT} = -1mA 2/, 3/, 5/	-55°C	-	500	Ω
			+25°C	-	750	Ω
			+125°C	-	1000	Ω

Notes:

1/ Measure inputs sequentially. Ground all unused inputs of the device under test. V_A is the applied input voltage to the address lines A(0-3). V_B is the applied input voltage to the address lines B(0-3).

2/ V_{IN} is the applied input voltage to the input channels (CH0-CH63).

3/ V_{EN} is the applied input voltage to the enable lines \overline{EN} (0-15), \overline{EN} (16-31), \overline{EN} (32-47) and \overline{EN} (48-63).

4/ V_{OUT} is the applied input voltage to the output lines OUTPUT1(0-15), OUTPUT2(16-31), OUTPUT3(32-47) and OUTPUT4(48-63).

5/ Negative current is the current flowing out of each of the MUX pins. Positive current is the current flowing into each MUX pin.

6/ The RHD8541 cannot be operated with analog inputs below 0 volts.

7/ Not tested, guaranteed to the specified limits.

SWITCHING CHARACTERISTICS

(Tc = -55°C to +125°C, +Vcc = +5V - Unless otherwise specified)

Parameter	Symbol	Conditions	Temp	Min	Max	Units
Address to Output Delay	t _{AHL}	V _{OUT} High to Low Transition	-55°C	10	150	ns
			+25°C	10	150	ns
			+125°C	10	200	ns
	t _{ALH}	V _{OUT} Low to High Transition	-55°C	10	150	ns
			+25°C	10	150	ns
			+125°C	10	200	ns
Enable to Output Delay	t _{ONEN}	V _{EN} = 30% V _{CC} (Enabled)	-55°C	10	150	ns
			+25°C	10	150	ns
			+125°C	10	200	ns
	t _{OFFEN}	V _{EN} = 70% V _{CC} (Disabled)	ALL	10	200	ns

TRUTH TABLE (CH0 – CH15)

B3	B2	B1	B0	$\overline{\text{EN}}(0-15)$	"ON" CHANNEL <u>1/</u>
X	X	X	X	H	NONE
L	L	L	L	L	CH0
L	L	L	H	L	CH1
L	L	H	L	L	CH2
L	L	H	H	L	CH3
L	H	L	L	L	CH4
L	H	L	H	L	CH5
L	H	H	L	L	CH6
L	H	H	H	L	CH7
H	L	L	L	L	CH8
H	L	L	H	L	CH9
H	L	H	L	L	CH10
H	L	H	H	L	CH11
H	H	L	L	L	CH12
H	H	L	H	L	CH13
H	H	H	L	L	CH14
H	H	H	H	L	CH15

1/ Between (CH0-CH15) and OUTPUT1(0-15)

TRUTH TABLE (CH16 – CH31)

B3	B2	B1	B0	$\overline{\text{EN}}(16-31)$	"ON" CHANNEL <u>2/</u>
X	X	X	X	H	NONE
L	L	L	L	L	CH16
L	L	L	H	L	CH17
L	L	H	L	L	CH18
L	L	H	H	L	CH19
L	H	L	L	L	CH20
L	H	L	H	L	CH21
L	H	H	L	L	CH22
L	H	H	H	L	CH23
H	L	L	L	L	CH24
H	L	L	H	L	CH25
H	L	H	L	L	CH26
H	L	H	H	L	CH27
H	H	L	L	L	CH28
H	H	L	H	L	CH29
H	H	H	L	L	CH30
H	H	H	H	L	CH31

2/ Between (CH16-CH31) and OUTPUT2 (16-31)

TRUTH TABLE (CH32 – CH47)

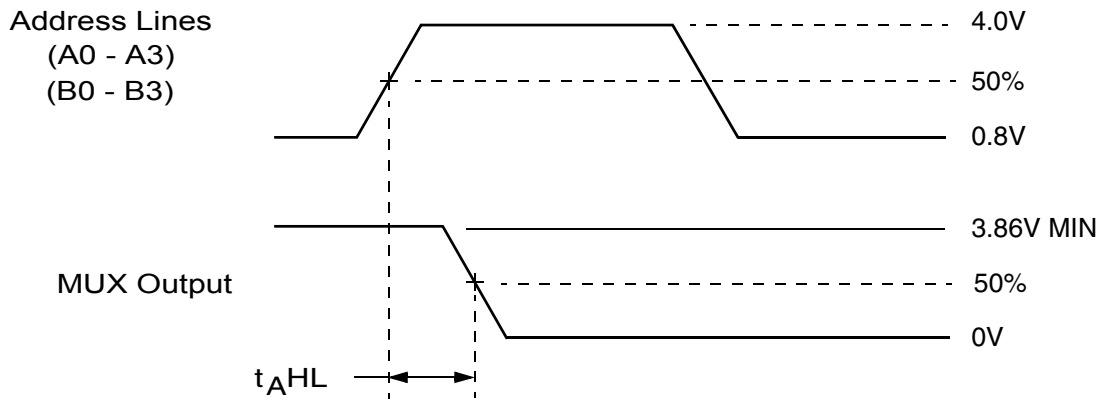
A3	A2	A1	A0	$\overline{\text{EN}}(32-47)$	"ON" CHANNEL <u>3/</u>
X	X	X	X	H	NONE
L	L	L	L	L	CH32
L	L	L	H	L	CH33
L	L	H	L	L	CH34
L	L	H	H	L	CH35
L	H	L	L	L	CH36
L	H	L	H	L	CH37
L	H	H	L	L	CH38
L	H	H	H	L	CH39
H	L	L	L	L	CH40
H	L	L	H	L	CH41
H	L	H	L	L	CH42
H	L	H	H	L	CH43
H	H	L	L	L	CH44
H	H	L	H	L	CH45
H	H	H	L	L	CH46
H	H	H	H	L	CH47

3/ Between (CH32-CH47) and OUTPUT3 (32-47)

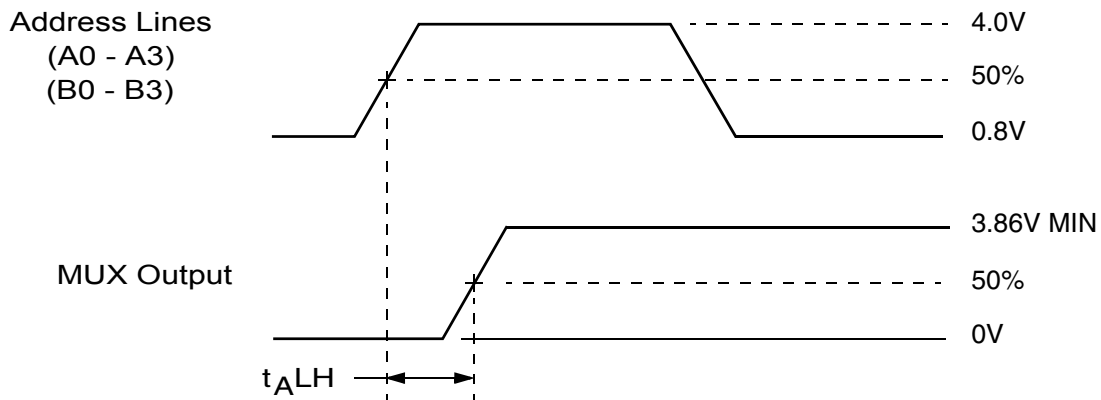
TRUTH TABLE (CH48 – CH63)

A3	A2	A1	A0	$\overline{\text{EN}}(48-63)$	"ON" CHANNEL <u>4/</u>
X	X	X	X	H	NONE
L	L	L	L	L	CH48
L	L	L	H	L	CH49
L	L	H	L	L	CH50
L	L	H	H	L	CH51
L	H	L	L	L	CH52
L	H	L	H	L	CH53
L	H	H	L	L	CH54
L	H	H	H	L	CH55
H	L	L	L	L	CH56
H	L	L	H	L	CH57
H	L	H	L	L	CH58
H	L	H	H	L	CH59
H	H	L	L	L	CH60
H	H	L	H	L	CH61
H	H	H	L	L	CH62
H	H	H	H	L	CH63

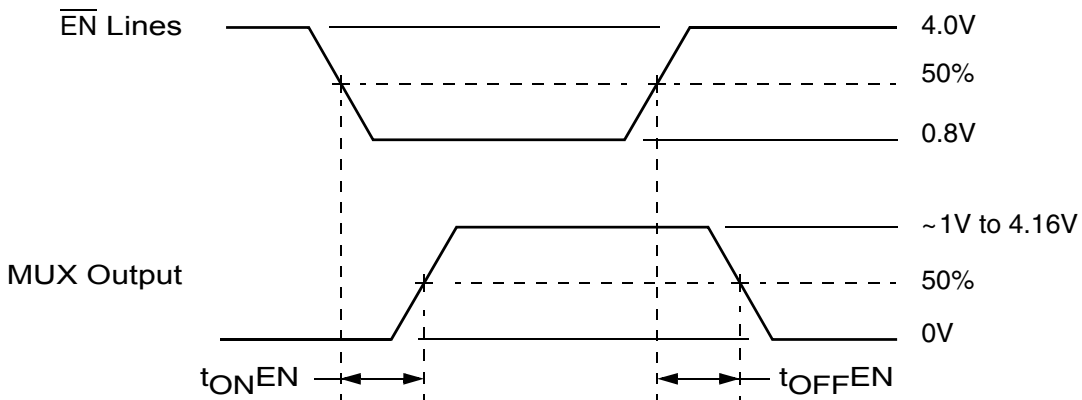
4/ Between (CH48-CH63) and OUTPUT4 (48-63)



Definition of t_{AHL}



Definition of t_{ALH}



Definition of t_{ONEN} and t_{OFFEN}

NOTE: $f = 10\text{KHz}$, Duty cycle = 50%.

RHD8541 SWITCHING DIAGRAMS

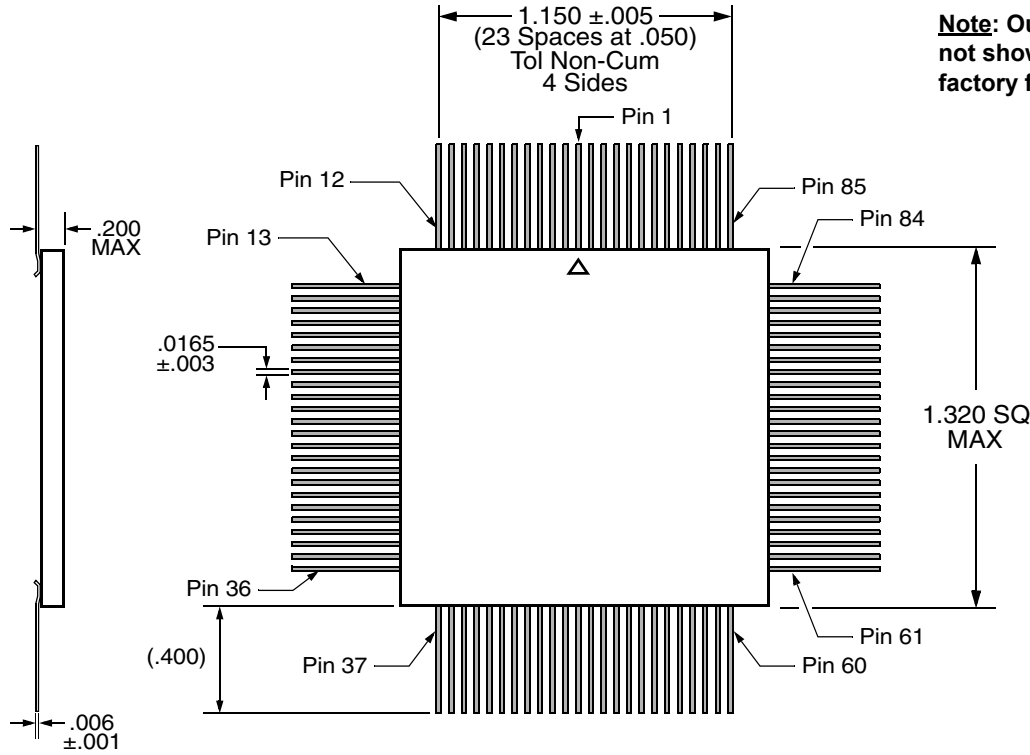
PIN NUMBERS & FUNCTIONS

RHD8541 – 96 Leads Ceramic QUAD Flat Pack					
Pin #	Function	Pin #	Function	Pin #	Function
1	A2	33	CH11	65	CH49
2	B2	34	CH27	66	CH48
3	A3	35	CH12	67	NC
4	B3	36	CH28	68	Output4 (48-63)
5	$\overline{\text{EN}}$ (0-15)	37	CH13	69	NC
6	$\overline{\text{EN}}$ (16-31)	38	CH29	70	Output3 (32-47)
7	CH0	39	CH14	71	GND
8	CH16	40	CH30	72	GND
9	CH1	41	CH15	73	CH47
10	CH17	42	CH31	74	CH46
11	CH2	43	NC	75	CH45
12	CH18	44	+Vcc	76	CH44
13	CH3	45	NC	77	CH43
14	CH19	46	NC	78	CH42
15	CH4	47	NC	79	CH41
16	CH20	48	NC	80	CH40
17	CH5	49	NC	81	CH39
18	CH21	50	CASE GND	82	CH38
19	CH6	51	CH63	83	CH37
20	CH22	52	CH62	84	CH36
21	CH7	53	CH61	85	CH35
22	CH23	54	CH60	86	CH34
23	GND	55	CH59	87	CH33
24	GND	56	CH58	88	CH32
25	Output1 (0-15)	57	CH57	89	GND
26	Output2 (16-31)	58	CH56	90	GND
27	CH8	59	CH55	91	$\overline{\text{EN}}$ (48-63)
28	CH24	60	CH54	92	$\overline{\text{EN}}$ (32-47)
29	CH9	61	CH53	93	A0
30	CH25	62	CH52	94	B0
31	CH10	63	CH51	95	A1
32	CH26	64	CH50	96	B1

NOTE: It is recommended that all "NC" or "no connect" pins be grounded. This eliminates or minimizes any ESD or static buildup.

ORDERING INFORMATION

Model Number	DLA SMD #	Screening	Package
RHD8541-7	-	Commercial Flow, +25°C testing only	QUAD Flat Pack
RHD8541-S	-	Military Temperature, -55°C to +125°C Screened in accordance with the individual Test Methods of MIL-STD-883 for Space Applications	
RHD8541-201-1S	5962-1221101KXC	DLA SMD Pending	
RHD8541-901-1S	5962H1221101KXC	DLA SMD and Radiation Certification Pending	



FLAT PACKAGE OUTLINE

EXPORT CONTROL:

This product is controlled for export under the International Traffic in Arms Regulations (ITAR). A license from the U.S. Department of State is required prior to the export of this product from the United States.

EXPORT WARNING:

Aeroflex's military and space products are controlled for export under the International Traffic in Arms Regulations (ITAR) and may not be sold or proposed or offered for sale to certain countries. (See ITAR 126.1 for complete information.)

PLAINVIEW, NEW YORK
Toll Free: 800-THE-1553
Fax: 516-694-6715

INTERNATIONAL
Tel: 805-778-9229
Fax: 805-778-1980

NORTHEAST
Tel: 603-888-3975
Fax: 603-888-4585

SE AND MID-ATLANTIC
Tel: 321-951-4164
Fax: 321-951-4254

WEST COAST
Tel: 949-362-2260
Fax: 949-362-2266

CENTRAL
Tel: 719-594-8017
Fax: 719-594-8468

www.aeroflex.com info-ams@aeroflex.com

Aeroflex Microelectronic Solutions reserves the right to change at any time without notice the specifications, design, function, or form of its products described herein. All parameters must be validated for each customer's application by engineering. No liability is assumed as a result of use of this product. No patent licenses are implied.



Our passion for performance is defined by three attributes represented by these three icons: solution-minded, performance-driven and customer-focused