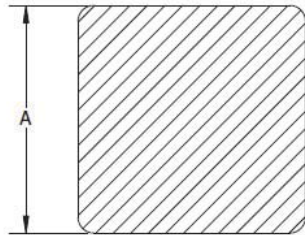
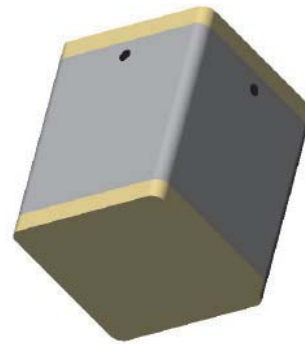
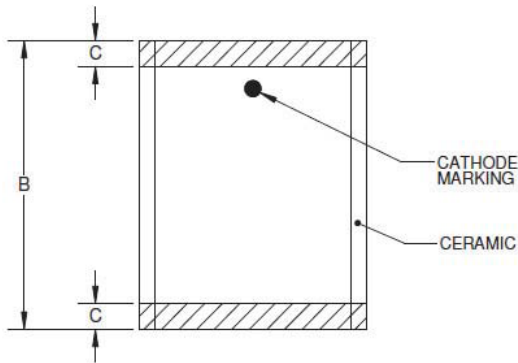


# CS128



BOTTOM VIEW

SCHEMATIC



Case Style	DIM "A"	DIM "B"	DIM "C"
CS128-1	0.088 +/- 0.007	0.125 +/- 0.010	0.020 Typical
	(2.24 +/- 0.18)	(3.18 +/- 0.25)	-0.51
CS128-4	.143 +.004/-.002	.181 +.003/-.002	.016 +/- .008
	(3.63 +0.10/-0.05)	(4.60 +0.08/-0.05)	(0.41 +/-0.20)

Dimensions in mils [mm]