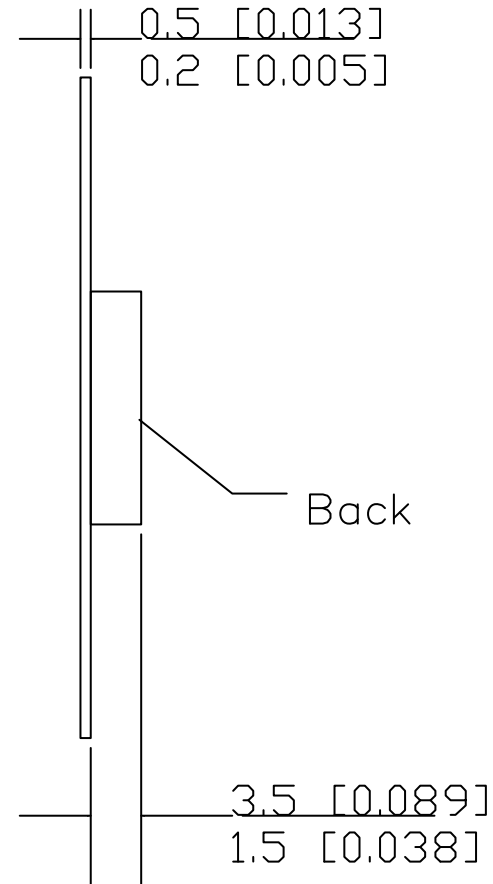
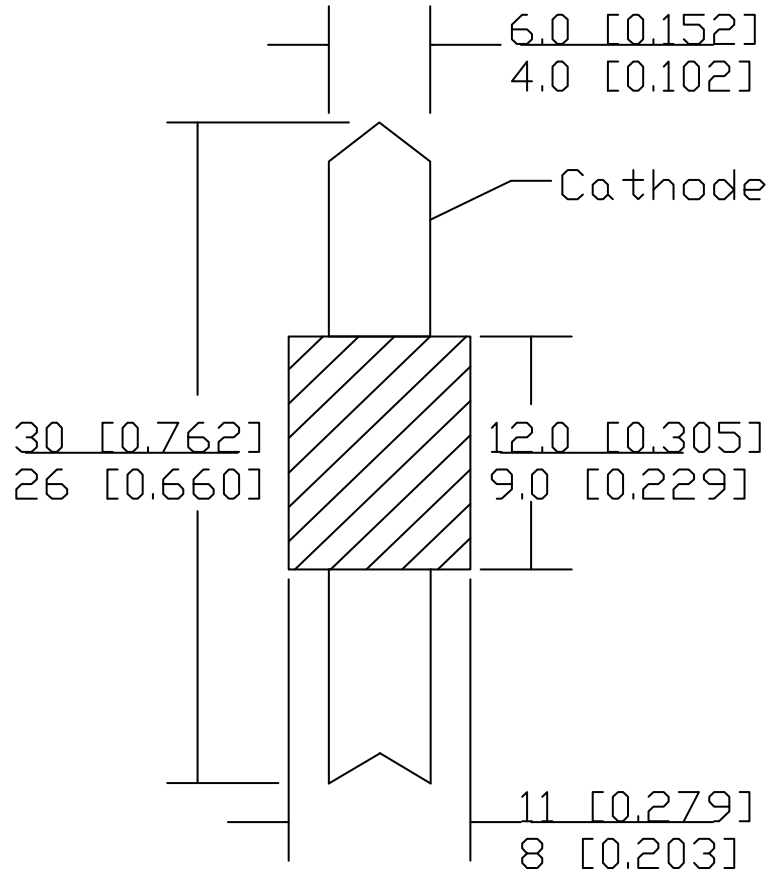


# GB112



Back View

Dimensions in mils [mm]