

# UT9Q512K32E 16 Megabit Rad SRAM MCM

Data Sheet  
June 25, 2010



## FEATURES

- ❑ 25ns maximum (5 volt supply) address access time
- ❑ Asynchronous operation for compatible with industry standard 512K x 8 SRAMs
- ❑ TTL compatible inputs and output levels, three-state bidirectional data bus
- ❑ Operational environment:
  - Total dose: 50 krad(Si)
  - SEL Immune >110 MeV-cm<sup>2</sup>/mg
  - LET<sub>TH</sub>(0.25) = >52 MeV-cm<sup>2</sup>/mg
  - Saturated Cross Section (cm<sup>2</sup>) per bit, 2.8E-8
    - ≤1.1E-9 errors/bit-day, Adams 90% geosynchronous heavy ion
- ❑ Packaging:
  - 68-lead dual cavity ceramic quad flatpack (CQFP) (11.0 grams)
- ❑ Standard Microcircuit Drawing 5962-01511
  - QML Q and Q+ compliant part
  - QML V pending

## INTRODUCTION

The UT9Q512K32E RadTol product is a high-performance 2M byte (16Mbit) CMOS static RAM multi-chip module (MCM), organized as four individual 524,288 x 8 bit SRAMs with a common output enable. Memory expansion is provided by an active LOW chip enable ( $\bar{E}n$ ), an active LOW output enable ( $\bar{G}$ ), and three-state drivers. This device has a power-down feature that reduces power consumption by more than 90% when deselected.

Writing to each memory is accomplished by taking chip enable ( $\bar{E}n$ ) input LOW and write enable ( $\bar{W}n$ ) inputs LOW. Data on the eight I/O pins (DQ<sub>0</sub> through DQ<sub>7</sub>) is then written into the location specified on the address pins (A<sub>0</sub> through A<sub>18</sub>). Reading from the device is accomplished by taking chip enable ( $\bar{E}n$ ) and output enable ( $\bar{G}$ ) LOW while forcing write enable ( $\bar{W}n$ ) HIGH. Under these conditions, the contents of the memory location specified by the address pins will appear on the I/O pins.

The input/output pins are placed in a high impedance state when the device is deselected ( $\bar{E}n$  HIGH), the outputs are disabled ( $\bar{G}$  HIGH), or during a write operation ( $\bar{E}n$  LOW and  $\bar{W}n$  LOW). Perform 8, 16, 24 or 32 bit accesses by making  $\bar{W}n$  along with  $\bar{E}n$  a common input to any combination of the discrete memory die.

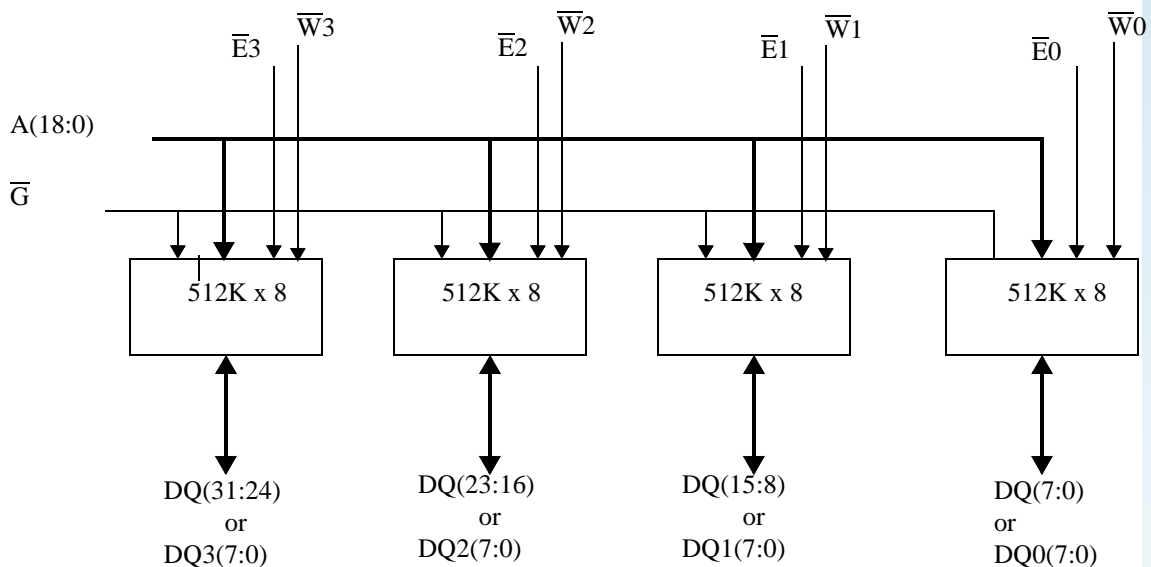


Figure 1. UT9Q512K32E SRAM Block Diagram

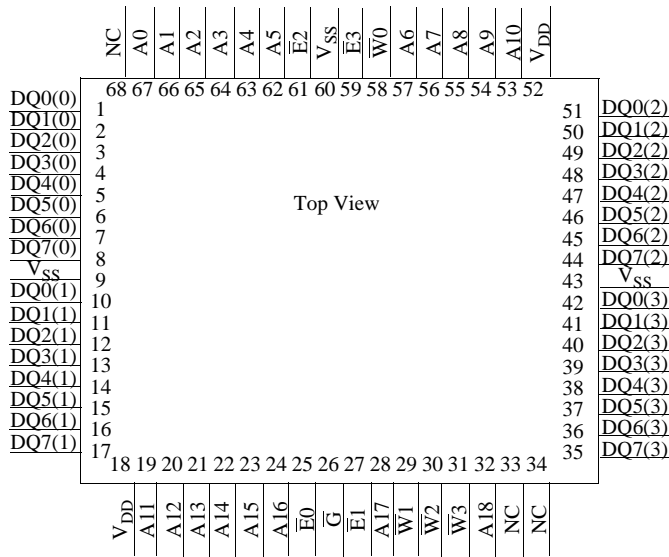


Figure 2. 25ns SRAM Pinout (68)

### PIN NAMES

A(18:0)	Address	$\overline{Wn}$	Write Enable
DQn(7:0)	Data Input/Output	$\overline{G}$	Output Enable
$\overline{En}$	Enable	$V_{DD}$	Power
		$V_{SS}$	Ground

### DEVICE OPERATION

The UT9Q512K32E has three control inputs called Enable 1 ( $\overline{En}$ ), Write Enable ( $\overline{Wn}$ ), and Output Enable ( $\overline{G}$ ); 19 address inputs, A(18:0); and eight bidirectional data lines, DQ(7:0).  $\overline{En}$  Device Enable controls device selection, active, and standby modes. Asserting  $\overline{En}$  enables the device, causes  $I_{DD}$  to rise to its active value, and decodes the 19 address inputs to select one of 524,288 words in the memory.  $\overline{Wn}$  controls read and write operations. During a read cycle,  $\overline{G}$  must be asserted to enable the outputs.

Table 1. Device Operation Truth Table

$\overline{G}$	$\overline{Wn}$	$\overline{En}$	I/O Mode	Mode
X <sup>1</sup>	X	1	3-state	Standby
X	0	0	Data in	Write
1	1	0	3-state	Read <sup>2</sup>
0	1	0	Data out	Read

#### Notes:

1. "X" is defined as a "don't care" condition.
2. Device active; outputs disabled.

### READ CYCLE

A combination of  $\overline{Wn}$  greater than  $V_{IH}$  (min) and  $\overline{En}$  less than  $V_{IL}$  (max) defines a read cycle. Read access time is measured from the latter of Device Enable, Output Enable, or valid address to valid data output.

SRAM Read Cycle 1, the Address Access in figure 3a, is initiated by a change in address inputs while the chip is enabled with  $\overline{G}$  asserted and  $\overline{Wn}$  deasserted. Valid data appears on data outputs DQ(7:0) after the specified  $t_{AVQV}$  is satisfied. Outputs remain active throughout the entire cycle. As long as Device Enable and Output Enable are active, the address inputs may change at a rate equal to the minimum read cycle time ( $t_{AVAV}$ ).

SRAM read Cycle 2, the Chip Enable - Controlled Access in figure 3b, is initiated by  $\overline{En}$  going active while  $\overline{G}$  remains asserted,  $\overline{Wn}$  remains deasserted, and the addresses remain stable for the entire cycle. After the specified  $t_{ETQV}$  is satisfied, the eight-bit word addressed by A(18:0) is accessed and appears at the data outputs DQ(7:0).

SRAM read Cycle 3, the Output Enable - Controlled Access in figure 3c, is initiated by  $\overline{G}$  going active while  $\overline{En}$  is asserted,  $\overline{Wn}$  is deasserted, and the addresses are stable. Read access time is  $t_{GLQV}$  unless  $t_{AVQV}$  or  $t_{ETQV}$  have not been satisfied.

## WRITE CYCLE

A combination of  $\overline{Wn}$  less than  $V_{IL}(\max)$  and  $\overline{En}$  less than  $V_{IL}(\max)$  defines a write cycle. The state of  $\overline{G}$  is a “don’t care” for a write cycle. The outputs are placed in the high-impedance state when either  $\overline{G}$  is greater than  $V_{IH}(\min)$ , or when  $\overline{Wn}$  is less than  $V_{IL}(\max)$ .

Write Cycle 1, the Write Enable-controlled Access is defined by a write terminated by  $\overline{Wn}$  going high, with  $\overline{En}$  still active. The write pulse width is defined by  $t_{WLWH}$  when the write is initiated by  $\overline{Wn}$ , and by  $t_{ETWH}$  when the write is initiated by  $\overline{En}$ . Unless the outputs have been previously placed in the high-impedance state by  $\overline{G}$ , the user must wait  $t_{WLQZ}$  before applying data to the nine bidirectional pins DQ(7:0) to avoid bus contention.

Write Cycle 2, the Chip Enable-controlled Access is defined by a write terminated by the latter of  $\overline{En}$  going inactive. The write pulse width is defined by  $t_{WLEF}$  when the write is initiated by  $\overline{Wn}$ , and by  $t_{ETEF}$  when the write is initiated by the  $\overline{En}$  going active. For the  $\overline{Wn}$  initiated write, unless the outputs have been previously placed in the high-impedance state by  $\overline{G}$ , the user must wait  $t_{WLQZ}$  before applying data to the eight bidirectional pins DQ(7:0) to avoid bus contention.

## OPERATIONAL ENVIRONMENT

The UT9Q512K32E SRAM incorporates features which allows operation in a limited environment.

**Table 2. Operational Environment Design Specifications<sup>1</sup>**

<b>Total Dose</b>	50	krad(Si)
<b>Heavy Ion Error Rate<sup>2</sup></b>	<1.1E-9	Errors/Bit-Day

**Notes:**

1. The SRAM will not latchup during radiation exposure under recommended operating conditions.
2. 90% worst case particle environment, Geosynchronous orbit, 100 mils of Aluminum.

## ABSOLUTE MAXIMUM RATINGS<sup>1</sup>

(Referenced to  $V_{SS}$ )

SYMBOL	PARAMETER	LIMITS
$V_{DD}$	DC supply voltage	-0.5 to 7.0V
$V_{I/O}$	Voltage on any pin	-0.5 to 7.0V
$T_{STG}$	Storage temperature	-65 to +150°C
$P_D$	Maximum power dissipation	1.0W (per byte)
$T_J$	Maximum junction temperature	+150°C
$\Theta_{JC}$	Thermal resistance, junction-to-case	10°C/W
$I_I$	DC input current	$\pm 10$ mA

### Notes:

1. Stresses outside the listed absolute maximum ratings may cause permanent damage to the device. This is a stress rating only, and functional operation of the device at these or any other conditions beyond limits indicated in the operational sections of this specification is not recommended. Exposure to absolute maximum rating conditions for extended periods may affect device reliability and performance.

## RECOMMENDED OPERATING CONDITIONS

SYMBOL	PARAMETER	LIMITS
$V_{DD}$	Positive supply voltage	4.5 to 5.5V
$T_C$	Case temperature range	(W) Screen - 40°C to 105°C
$V_{IN}$	DC input voltage	0V to $V_{DD}$

**DC ELECTRICAL CHARACTERISTICS (Pre/Post-Radiation)\***

-40°C to +105°C ( $V_{DD} = 5.0V \pm 10\%$  for (W) screening)

SYMBOL	PARAMETER	CONDITION	MIN	MAX	UNIT
$V_{IH}$	High-level input voltage	(TTL)	2.0		V
$V_{IL}$	Low-level input voltage	(TTL)		0.8	V
$V_{OL1}$	Low-level output voltage	$I_{OL} = 8mA, V_{DD} = 4.5V$ (TTL)		0.4	V
$V_{OL2}$	Low-level output voltage	$I_{OL} = 200\mu A, V_{DD} = 4.5V$ (CMOS)		0.08	V
$V_{OH1}$	High-level output voltage	$I_{OH} = -4mA, V_{DD} = 4.5V$ (TTL)	2.4		V
$V_{OH2}$	High-level output voltage	$I_{OH} = 200\mu A, V_{DD} = 4.5V$ (CMOS)	3.0		V
$C_{IN}^1$	Input capacitance	$f = 1MHz @ 0V$		45	pF
$C_{IO}^1$	Bidirectional I/O capacitance	$f = 1MHz @ 0V$		25	pF
$I_{IN}$	Input leakage current	$V_{IN} = V_{DD}$ and $V_{SS}, V_{DD} = V_{DD} (max)$	-2	2	$\mu A$
$I_{OZ}$	Three-state output leakage current	$V_O = V_{DD}$ and $V_{SS}$ $V_{DD} = V_{DD} (max)$ $\bar{G} = V_{DD} (max)$	-2	2	$\mu A$
$I_{OS}^{2,3}$	Short-circuit output current	$V_{DD} = V_{DD} (max), V_O = V_{DD}$ $V_{DD} = V_{DD} (max), V_O = 0V$	-90	90	mA
$I_{DD}(OP)$	Supply current operating @ 1MHz (per byte)	Inputs: $V_{IL} = 0.8V,$ $V_{IH} = 2.0V$ $I_{OUT} = 0mA$ $V_{DD} = V_{DD} (max)$		40	mA
$I_{DD1}(OP)$	Supply current operating @ 40MHz (per byte)	Inputs: $V_{IL} = 0.8V,$ $V_{IH} = 2.0V$ $I_{OUT} = 0mA$ $V_{DD} = V_{DD} (max)$		70	mA
$I_{DD2}(SB)$	Supply current standby @ 0MHz (per byte)	Inputs: $V_{IL} = V_{SS}$ $I_{OUT} = 0mA$ $\bar{E}1 = V_{DD} - 0.5, V_{DD} = V_{DD} (max)$ $V_{IH} = V_{DD} - 0.5V$	-40°C and 25°C	9	mA
		105°C	24	mA	

**Notes:**

\* Post-radiation performance guaranteed at 25°C per MIL-STD-883 Method 1019.

1. Measured only for initial qualification and after process or design changes that could affect input/output capacitance.
2. Supplied as a design limit but not guaranteed or tested.
3. Not more than one output may be shorted at a time for maximum duration of one second.

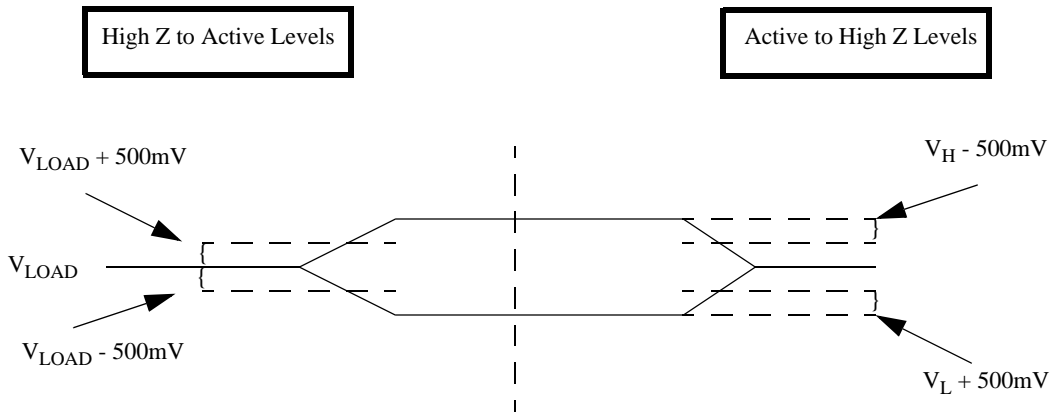
**AC CHARACTERISTICS READ CYCLE (Pre/Post-Radiation)\***

-40°C to +105°C ( $V_{DD} = 5.0V \pm 10\%$  for (W) screening)

SYMBOL	PARAMETER	MIN	MAX	UNIT
$t_{AVAV}^1$	Read cycle time	25		ns
$t_{AVQV}$	Read access time		25	ns
$t_{AXQX}^2$	Output hold time	3		ns
$t_{GLQX}^2$	$\overline{G}$ -controlled Output Enable time	0		ns
$t_{GLQV}$	$\overline{G}$ -controlled Output Enable time (Read Cycle 3)		10	ns
$t_{GHQZ}^2$	$\overline{G}$ -controlled output three-state time		10	ns
$t_{ETQX}^{2,3}$	$\overline{E}n$ -controlled Output Enable time	3		ns
$t_{ETQV}^3$	$\overline{E}n$ -controlled access time		25	ns
$t_{EFQZ}^{1,2,4}$	$\overline{E}n$ -controlled output three-state time		10	ns

**Notes:** \* Post-radiation performance guaranteed at 25°C per MIL-STD-883 Method 1019.

1. Functional test.
2. Three-state is defined as a 500mV change from steady-state output voltage.
3. The ET (enable true) notation refers to the falling edge of  $\overline{E}n$ . SEU immunity does not affect the read parameters.
4. The EF (enable false) notation refers to the rising edge of  $\overline{E}n$ . SEU immunity does not affect the read parameters.



**Figure 3. 5-Volt SRAM Loading**

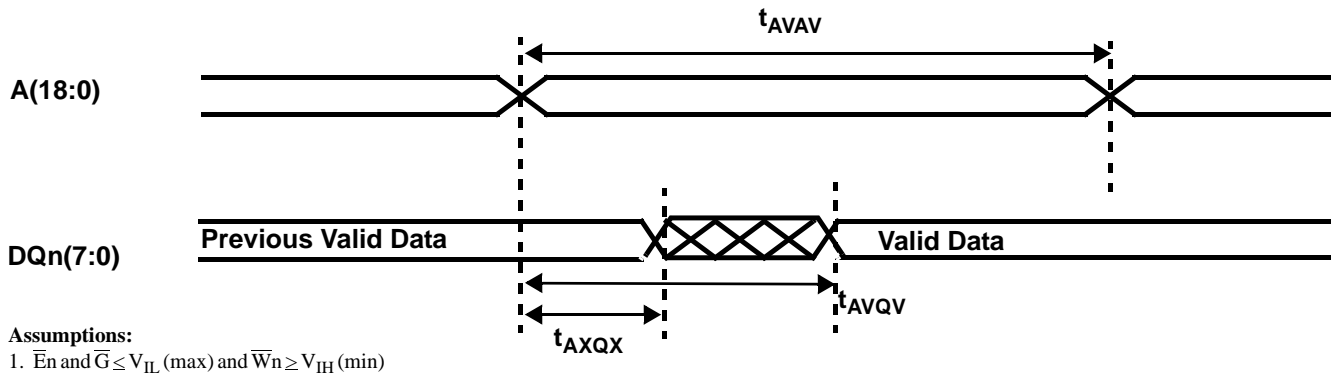
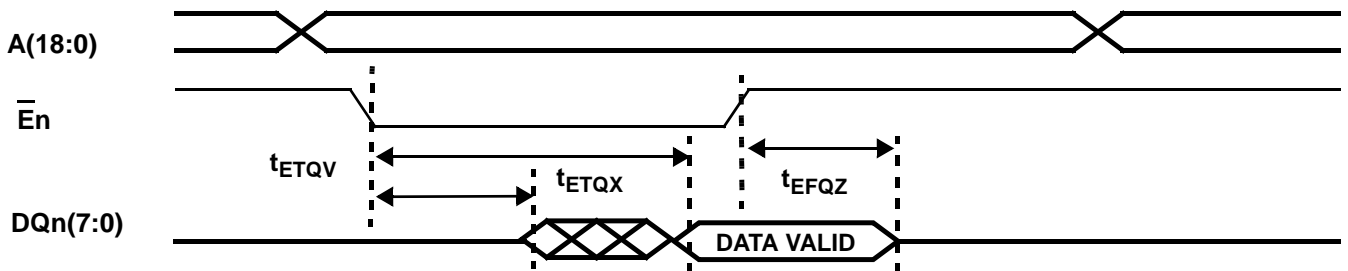


Figure 4a. SRAM Read Cycle 1: Address Access



**Assumptions:**  
 1.  $\bar{G} \leq V_{IL}(\text{max})$  and  $\bar{W}_n \geq V_{IH}(\text{min})$

Figure 4b. SRAM Read Cycle 2: Chip Enable-Controlled Access

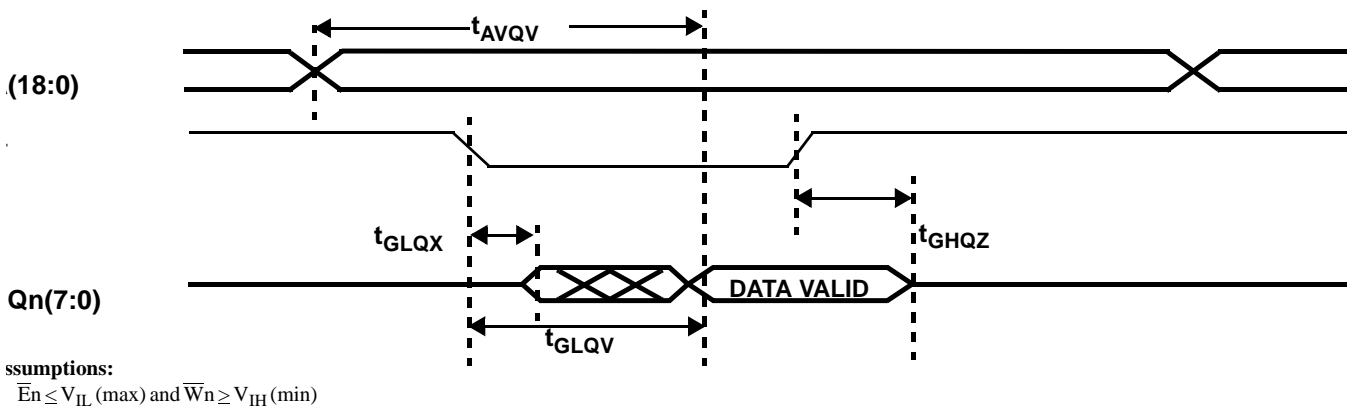


Figure 4c. SRAM Read Cycle 3: Output Enable-Controlled Access

**AC CHARACTERISTICS WRITE CYCLE (Pre/Post-Radiation)\***

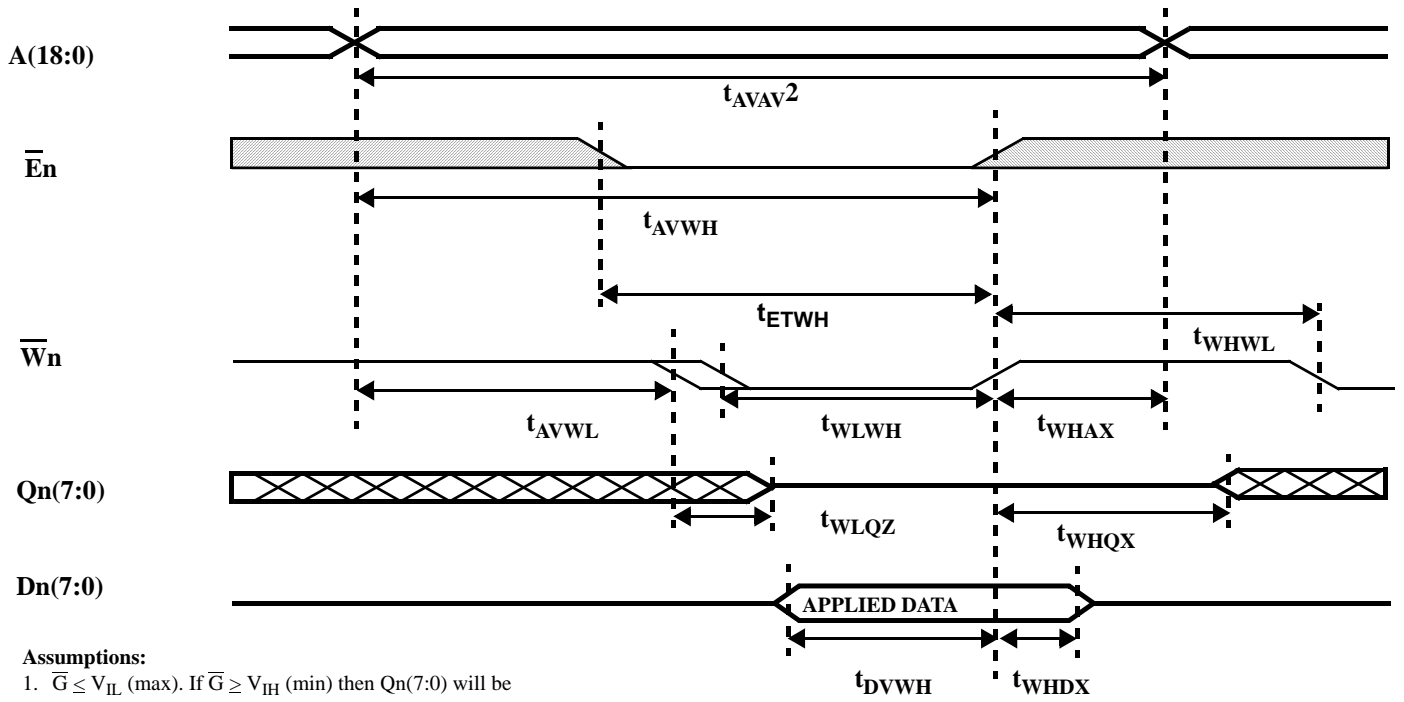
-40°C to +105°C ( $V_{DD} = 5.0V \pm 10\%$  for (W) screening)

SYMBOL	PARAMETER	MIN	MAX	UNIT
$t_{AVAV}^1$	Write cycle time	25		ns
$t_{ETWH}$	Device Enable to end of write	20		ns
$t_{AVET}$	Address setup time for write ( $\overline{E}n$ - controlled)	1		ns
$t_{AVWL}$	Address setup time for write ( $\overline{W}n$ - controlled)	0		ns
$t_{WLWH}$	Write pulse width	20		ns
$t_{WHAX}$	Address hold time for write ( $\overline{W}n$ - controlled)	0		ns
$t_{EFAX}$	Address hold time for Device Enable ( $\overline{E}n$ - controlled)	0		ns
$t_{WLQZ}^2$	$\overline{W}n$ - controlled three-state time		10	ns
$t_{WHQX}^2$	$\overline{W}n$ - controlled Output Enable time	5		ns
$t_{ETEF}$	Device Enable pulse width ( $\overline{E}n$ - controlled)	20		ns
$t_{DVWH}$	Data setup time	15		ns
$t_{WHDX}$	Data hold time	2		ns
$t_{WLEF}$	Device Enable controlled write pulse width	20		ns
$t_{DVEF}$	Data setup time	15		ns
$t_{EFDX}$	Data hold time	2		ns
$t_{AVWH}$	Address valid to end of write	20		ns
$t_{WHWL}^1$	Write disable time	5		ns

**Notes:**

\* Post-radiation performance guaranteed at 25°C per MIL-STD-883 Method 1019.

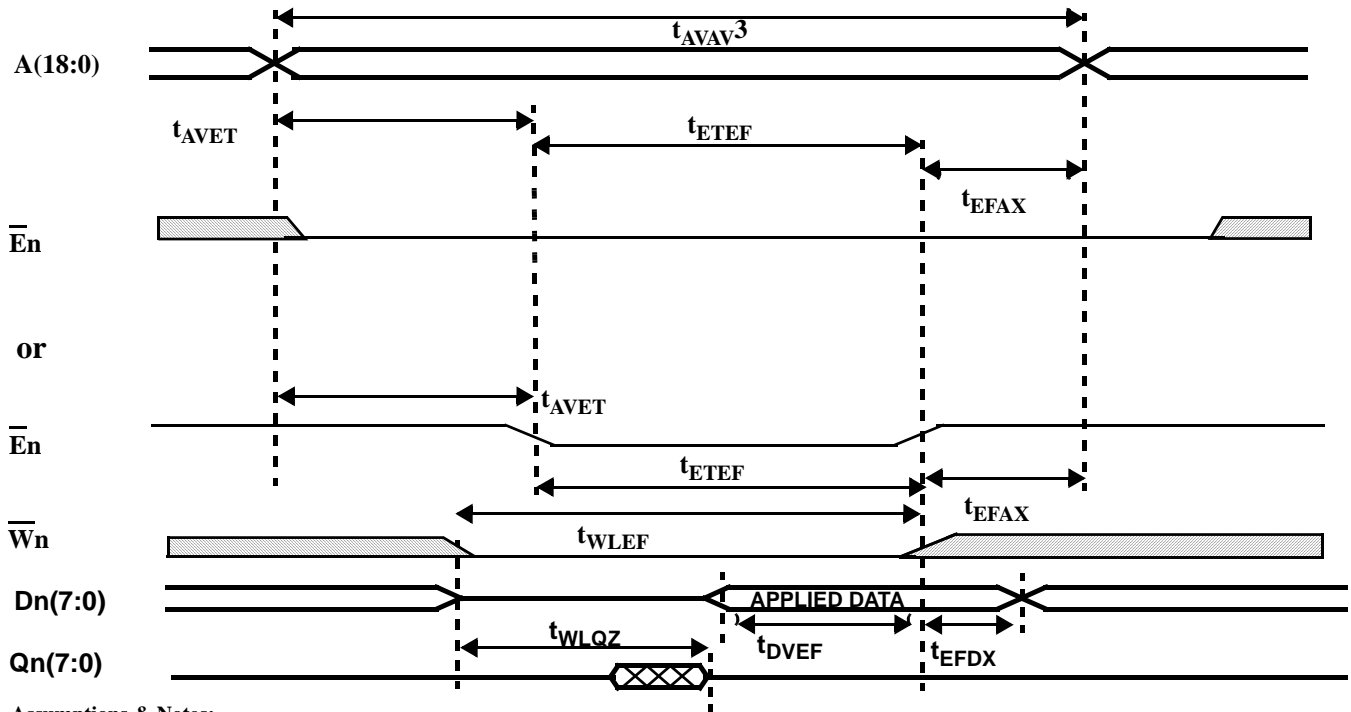
1. Functional test performed with outputs disabled ( $\overline{G}$  high).
2. Three-state is defined as 500mV change from steady-state output voltage.



**Assumptions:**

1.  $\bar{G} \leq V_{IL}$  (max). If  $\bar{G} \geq V_{IH}$  (min) then Qn(7:0) will be in three-state for the entire cycle.
2.  $\bar{G}$  high for  $t_{AVAV}$  cycle.

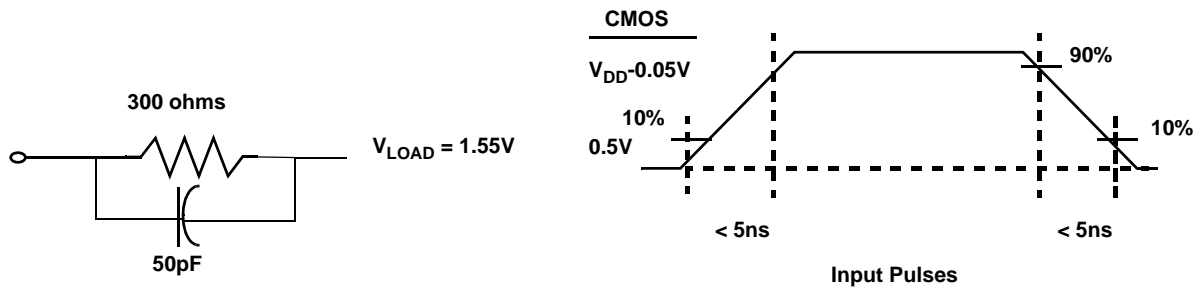
**Figure 5a. SRAM Write Cycle 1: Write Enable - Controlled Access**



**Assumptions & Notes:**

1.  $\bar{G} \leq V_{IL}(\text{max})$ . If  $\bar{G} \geq V_{IH}(\text{min})$  then Qn(7:0) will be in three-state for the entire cycle.
2. Either  $\bar{E}n$  scenario above can occur.
3.  $\bar{G}$  high for  $t_{AVAV}$  cycle.

**Figure 5b. SRAM Write Cycle 2: Chip Enable - Controlled Access**



**Notes:**

1. 50pF including scope probe and test socket capacitance.
2. Measurement of data output occurs at the low to high or high to low transition mid-point (i.e., CMOS input =  $V_{DD}/2$ ).

**Figure 6. AC Test Loads and Input Waveforms**

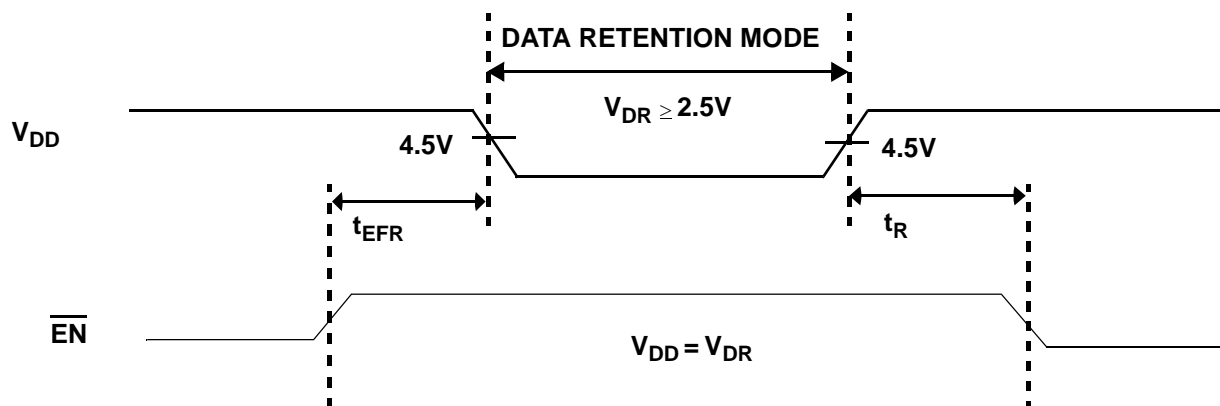


Figure 7. Low  $V_{DD}$  Data Retention Waveform

**DATA RETENTION CHARACTERISTICS (Pre-Radiation) \*( $V_{DD2} = V_{DD2}(\min)$ , 1 Sec DR Pulse)**

SYMBOL	PARAMETER	TEMP	MINIMUM	MAXIMUM	UNIT
$V_{DR}$	$V_{DD1}$ for data retention	--	2.5	--	V
$I_{DDR}^1$	Data retention current (per byte)	-40°C	--	9	mA
		25°C	--	9	mA
		105°C	--	24	mA
$t_{EFR}^1$	Chip deselect to data retention time	--	0	--	ns
$t_R^1$	Operation recovery time	--	$t_{AVAV}$	--	ns

**Notes:**

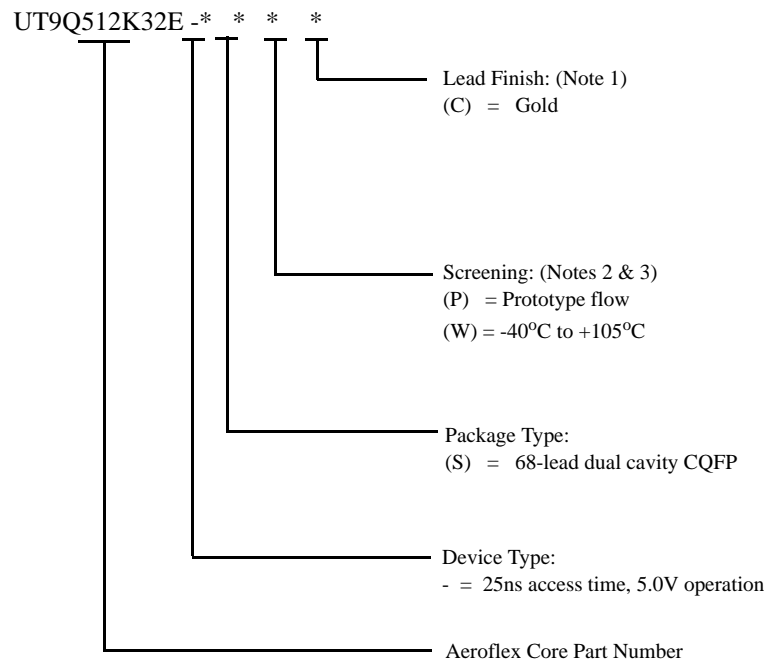
\*Post-radiation performance guaranteed at 25°C per MIL-STD-883 Method 1019.

1.  $\overline{EN} = V_{DD}$  all other inputs =  $V_{DD}$  or  $V_{SS}$



## ORDERING INFORMATION

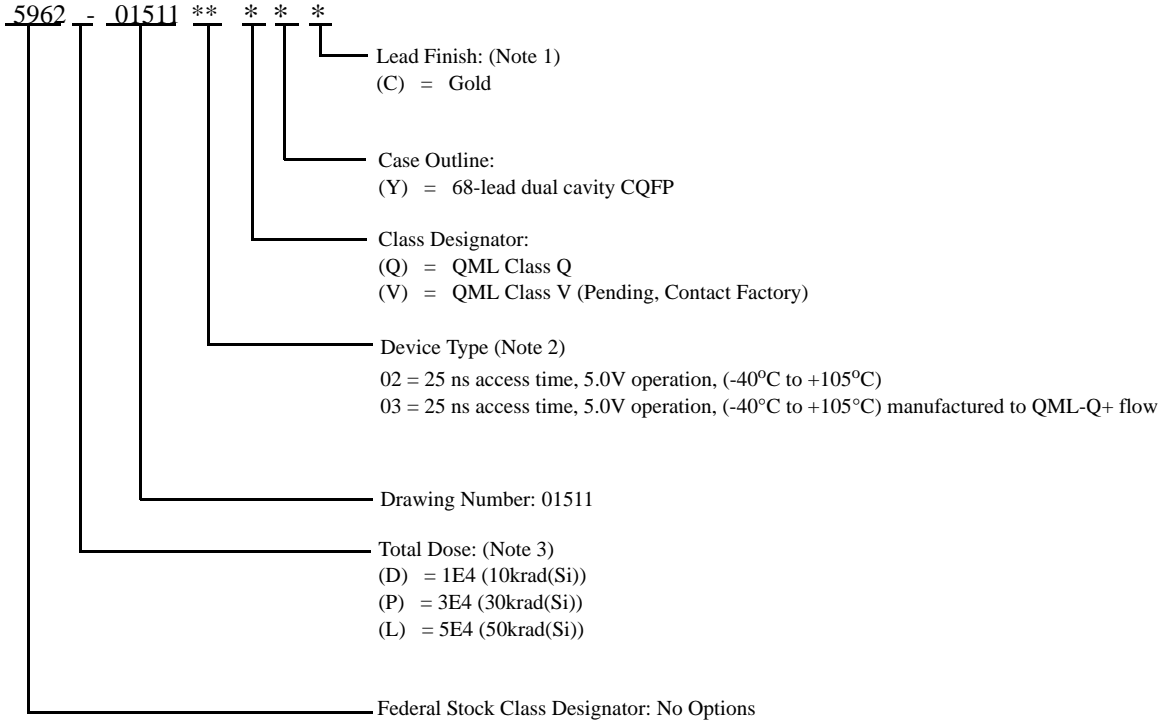
### 512K32 16Megabit SRAM MCM:



#### Notes:

1. Gold lead finish only.
2. Prototype flow per Aeroflex Colorado Springs Manufacturing Flows Document. Devices are tested at 25°C. Radiation neither tested nor guaranteed.
3. Extended Industrial Temperature Range flow per Aeroflex Colorado Springs Manufacturing Flows Document. Devices are tested at -40°C to +105°C. Radiation neither tested nor guaranteed.

**512K32E 16Megabit SRAM MCM: SMD**



Notes:

1. Lead finish is "C" (Gold) only.
2. Aeroflex's Q+ assembly flow, as defined in section 4.2.2.d of the SMD, provides QML-Q product through the SMD that is manufactured with Aeroflex's standard QML-V flow.
3. Total dose radiation must be specified when ordering.

## *Aeroflex Colorado Springs - Datasheet Definition*

**Advanced Datasheet - Product In Development**

**Preliminary Datasheet - Shipping Prototype**

**Datasheet - Shipping QML & Reduced HiRel**

### **COLORADO**

Toll Free: 800-645-8862  
Fax: 719-594-8468

### **INTERNATIONAL**

Tel: 805-778-9229  
Fax: 805-778-1980

### **NORTHEAST**

Tel: 603-888-3975  
Fax: 603-888-4585

### **SE AND MID-ATLANTIC**

Tel: 321-951-4164  
Fax: 321-951-4254

### **WEST COAST**

Tel: 949-362-2260  
Fax: 949-362-2266

### **CENTRAL**

Tel: 719-594-8017  
Fax: 719-594-8468

***www.aeroflex.com      info-ams@aeroflex.com***

Aeroflex Colorado Springs, Inc., reserves the right to make changes to any products and services herein at any time without notice. Consult Aeroflex or an authorized sales representative to verify that the information in this data sheet is current before using this product. Aeroflex does not assume any responsibility or liability arising out of the application or use of any product or service described herein, except as expressly agreed to in writing by Aeroflex; nor does the purchase, lease, or use of a product or service from Aeroflex convey a license under any patent rights, copyrights, trademark rights, or any other of the intellectual rights of Aeroflex or of third parties.



Our passion for performance is defined by three attributes represented by these three icons: solution-minded, performance-driven and customer-focused