

## Model 1442 High Power Coaxial Termination

dc to 8.5 GHz  
100 Watts

Convection Cooled

**RoHS**



### MAXIMUM SWR:

Frequency (GHz)	SWR
dc - 4	1.20
4 - 8.5	1.30

### Features

- /// **Compact Construction** - Lowest size/power ratio.
- /// **Rugged Construction** - Quality connector with special high temperature support bead.

### Specifications

**NOMINAL IMPEDANCE:** 50 Ω  
**FREQUENCY RANGE:** dc to 8.5 GHz

**POWER RATING (mounted horizontally with fins vertical):** 100 watts **average** to 35°C ambient temperature, derated linearly to 10 watts @ 125°C. 5 kilowatts **peak** (5 μsec pulse width; 1.0% duty cycle).

**TEMPERATURE RANGE:** -55°C to +125°C

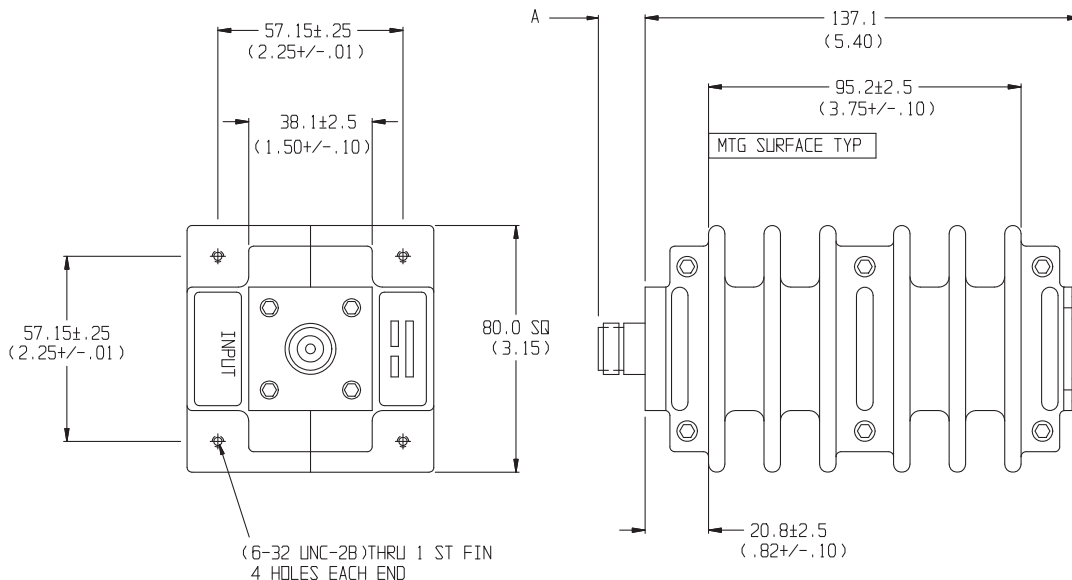
**TEST DATA:** SWR testing performed across the frequency range. Test data available at additional cost.

**CONNECTOR:** Type N connector per MIL-STD-348 interface dimensions - mate nondestructively with MIL-C-39012 connector. Choice of male (-4) or female connector (-3).

**CONSTRUCTION:** Black, finned aluminum body, stainless steel connector; gold plated beryllium copper contact or stainless steel male contact.

**WEIGHT:** 1,130 g (2 lbs, 8 oz)

### PHYSICAL DIMENSIONS:



#### NOTE:

1. All dimensions are given in mm (inches) and are maximum, unless otherwise specified.
2. Unit available with RoHS compliant materials, specify when ordering.

Model #	DIM A	Connector Type
1442-3	15.0 (0.59)	N female
1442-4	22.9 (0.90)	N male