

Fixed Coaxial Attenuators



Model 68 High Power Fixed Coaxial Attenuator

dc to 4.0 GHz
100 Watts

Convection Cooled



Features

- /// Precision Connectors with high temperature support beads.
- /// Designed to meet environmental requirements of MIL-DTL-3933.
- /// 10 Kilowatts peak, Convection Cooled
- /// Wireless Applications - Optimized for use in the communications bands.

Specifications

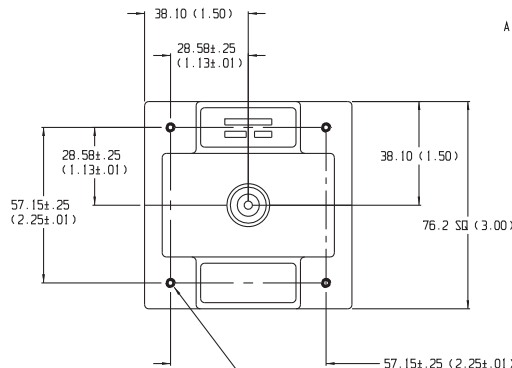
NOMINAL IMPEDANCE: 50 Ω

FREQUENCY RANGE: dc to 4.0 GHz

MAXIMUM DEVIATION OVER FREQUENCY:	
Nominal ATTN (dB)	Deviation (dB)
1, 2	± 0.50
3, 6, 10, 20, 30	± 1.00
40	± 2.00

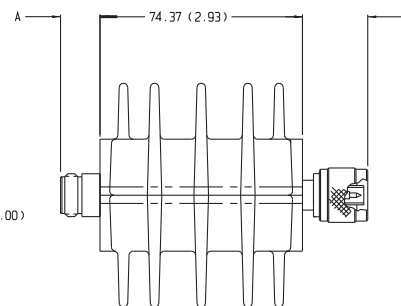
MAXIMUM SWR:	
Frequency (GHz)	SWR
dc - 4	1.20

PHYSICAL DIMENSIONS:



Connector	DIM A
N Male	22.9 (0.90)
N Female	15.0 (0.59)

(#6-32 UNC-2B) THRU 1ST FIN
4 HOLES BOTH ENDS



NOTE:

1. All dimensions are given in mm (inches) and are maximum, unless otherwise specified.
2. Unit available with RoHS compliant materials, specify when ordering.

POWER RATING (mounted horizontally): 100 watts average (unidirectional) to 25°C ambient temperature, derated linearly to 10 watts @ 125°C. Note: 1, 2, 3 dB models can handle 200 Watts average (unidirectional). 10 kilowatts peak (5 μsec pulse width; 0.5% duty cycle). Maximum power rating into output port is 10% of the average power rating.

POWER COEFFICIENT: <0.00025 dB/dB/watt

TEMPERATURE COEFFICIENT: <0.0004 dB/dB/°C

TEMPERATURE RANGE: -55°C to 100°C

TEST DATA: Insertion Loss and SWR Testing performed across frequency range. Test data available at additional cost.

CONNECTORS: Type N connectors per MIL-STD-348 interface dimensions - mate nondestructively with MIL-C-39012 connectors.

Connector Options	Type/Description
3	Type N, Female
4	Type N, Male

CONSTRUCTION: Aluminum alloy body, stainless steel connectors; gold plated beryllium copper contacts.

WEIGHT: 500 g (18 oz.) maximum

MODEL NUMBER DESCRIPTION:

Example:

