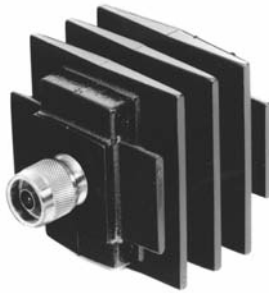


Model 1440 High Power Coaxial Termination

dc to 4.0 GHz
100 Watts

RoHS

Convection Cooled



MAXIMUM SWR:	
Frequency (GHz)	SWR
dc - 4	1.15

POWER RATING: 100 watts average (mounted horizontally assuming unobstructed air flow and natural convection around unit) to 25°C ambient temperature, derated linearly to 10 watts @ 125°C. 10 kilowatts peak (5 µsec pulse width; 0.5 % duty cycle).

TEMPERATURE RANGE: -55°C to +125°C

TEST DATA: SWR Testing performed across the frequency band. Test data is available at additional cost.

CONNECTOR: Type N connector per MIL-STD-348 interface dimensions - mate nondestructively with MIL-C-39012 connector. Choice of male (-4) or female connector (-3).

CONSTRUCTION: Black, finned aluminum body, stainless steel connector; gold plated beryllium copper center contacts.

WEIGHT: 500 g (18 oz)

Features

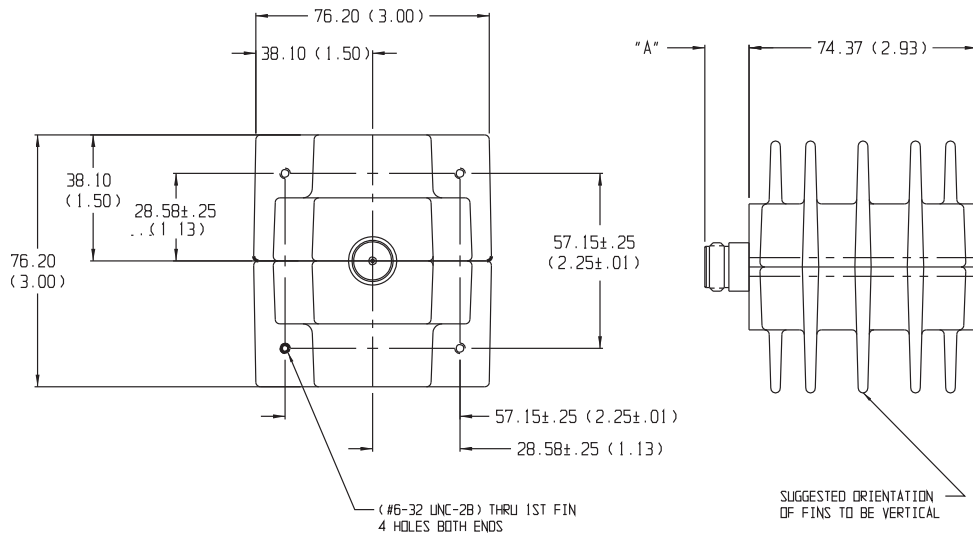
- /// **Compact Construction** - Lowest size/power ratio.
- /// **Low SWR**
- /// **Rugged Construction** - Quality connector with special high temperature support bead.
- /// **Ideal for Wireless Applications.**

Specifications

NOMINAL IMPEDANCE: 50 Ω

FREQUENCY RANGE: dc to 4.0 GHz

PHYSICAL DIMENSIONS:



Model #	DIM A	Connector Type
1440-3	15.0 (0.59)	N female
1440-4	22.9 (0.90)	N male

NOTE:

1. All dimensions are given in mm (inches) and are maximum, unless otherwise specified.
2. Unit available with RoHS compliant materials, specify when ordering.