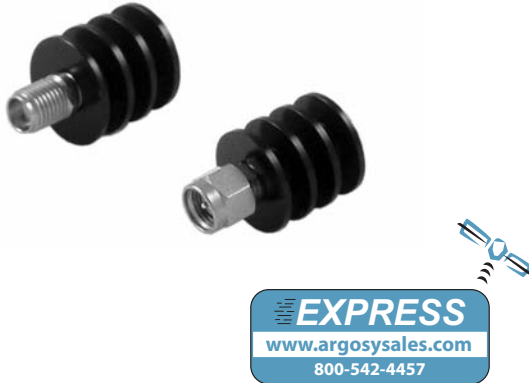


## Model 1443A Medium Power Coaxial Termination

dc to 18.0 GHz  
5 Watts

 **RoHS**

*SMA, Subminiature Design*



### Features

- /// **Compact Construction** - Lowest size/power ratio.
- /// **Precision Injection Molded Connector.**
- /// **Low SWR.**

### Specifications

**NOMINAL IMPEDANCE:** 50 Ω

**FREQUENCY RANGE:** dc to 18.0 GHz

MAXIMUM SWR:	
Frequency (GHz)	SWR
dc - 18	1.15

**POWER RATING:** 5 watts **average** (mounted horizontally assuming unobstructed air flow and natural convection around unit) to 25°C ambient temperature, derated linearly to 0.5 watts @ 125°C. 500 watts **peak** (5 μsec pulse width; 0.5% duty cycle).

**TEMPERATURE RANGE:** -55°C to +100°C

**TEST DATA:** SWR Testing performed across the frequency band. Test data is available at additional cost.

**CONNECTOR:** SMA connector per MIL-STD-348 interface dimensions - mate nondestructively with SMK, 3.5mm, 2.92mm and SMA connectors per MIL-C-39012 .

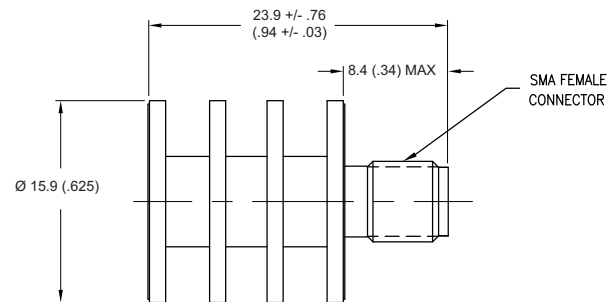
Choice of male (-2) or female (-1) connector.

**CONSTRUCTION:** Black, finned aluminum body, stainless steel connector; gold plated beryllium copper contacts.

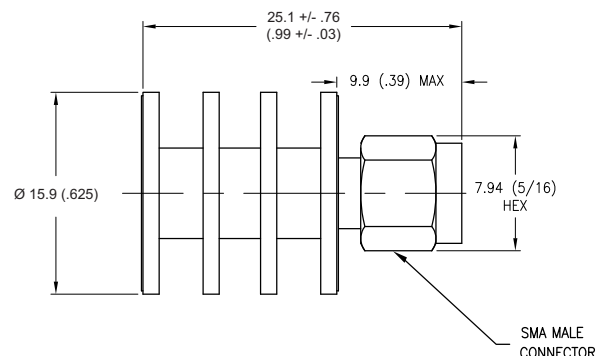
**WEIGHT:** 10 g (0.35 oz)

**PHYSICAL DIMENSIONS:**

#### Model 1443A-1:



#### Model 1443A-2:



#### NOTE:

1. All dimensions are given in mm (inches) and are maximum, unless otherwise specified.
2. Unit available with RoHS compliant materials, specify when ordering.