

# Wireless

## WiFi Connectivity Test Solutions

**AEROFLEX**  
A passion for performance.



### Highlights

- Unique test tools for most WiFi-enabled devices
- Can be combined with smartphone testing, or used as a standalone solution
- Easy to use
- Software provides clear Pass/Fail verdict
- Test protocol with MAC address, transmit and receive parameters

### Ensuring the Wireless LAN Capability of WiFi-Enabled Devices

Smartphones are getting more and more popular – even the usage of WiFi by login to local Wireless LAN networks. In some applications the WiFi capability is more important than the cellular connection. Aeroflex's WiFi Connectivity Test solutions are cost-efficient appliances for testing WiFi devices and routers. An easy-to-use test system can be established to test the cellular and WiFi capabilities of smartphones. Such a test system would consist of Aeroflex's 4943 WiFi Adapter or 4944 WiFi Test Kit, the 7310 Lector-Scriptor software with the 7363 WiFi Connectivity Test License option, the 4921 RF Shield, the 4916 Antenna Coupler and an RF tester such as the 2201 ProLock.

### Testing WiFi Devices

Lector or Scriptor can check the performance to determine if the WiFi device is connecting well. A few measurements are quickly done, increasing the overall test time of the mobile phone only

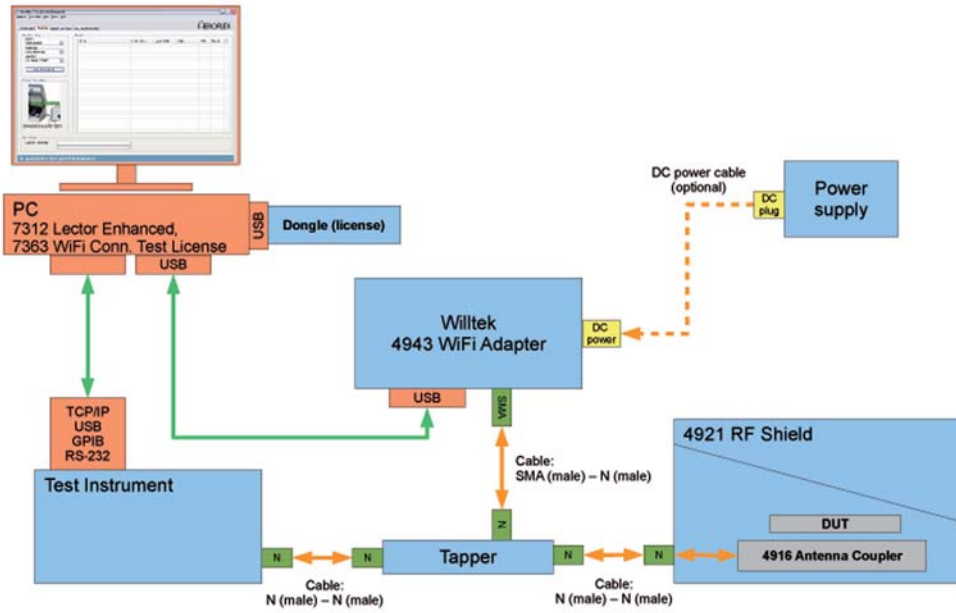
insignificantly. A test protocol will help to keep records of the WiFi parameter test. Any WiFi device can be tested; it is also possible to determine important WiFi parameters in a standalone test station (for devices other than mobile phones) or together with Bluetooth using the 4941 Bluetooth Connectivity Test Package.

### ... and WiFi Routers

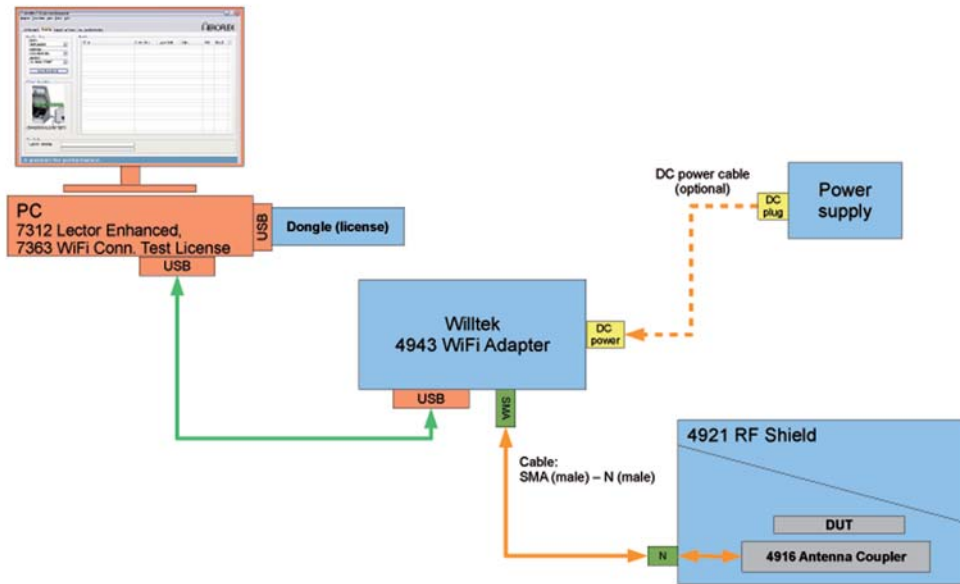
Wireless LAN routers may be standalone, built into triple-play set-top boxes or combined with cellular network access for multiple users. All these devices can be tested with Aeroflex's WiFi adapter and Lector; this software can also control RF tests on the cellular device if a mobile phone tester from Aeroflex is connected.

### 4943 WiFi Adapter

- Enables WiFi router testing
- Supports power measurements
- Requires ad-hoc network capability in the WiFi device



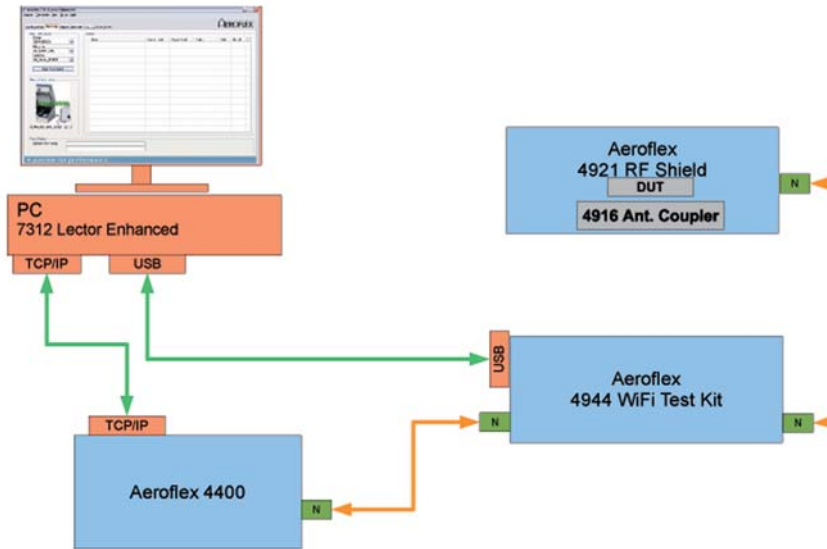
Test setup for combined WiFi and cellular testing



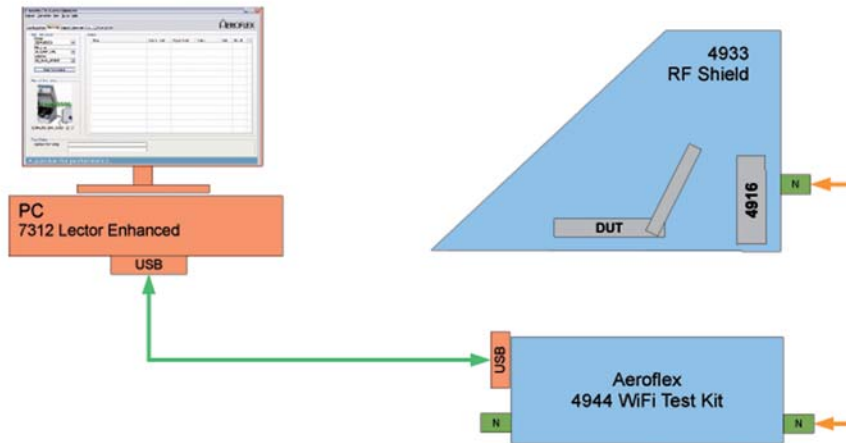
Test setup for standalone WiFi testing

### 4944 WiFi Test Kit

- Tests all types of WiFi devices, no ad-hoc network capability required
- No power measurements
- No WiFi router testing



*Test setup for combined WiFi and cellular testing*



*Test setup for standalone WiFi testing*

# SPECIFICATIONS

## 4943 WIFI ADAPTER

<b>Supported Tests</b>	MAC Address TX Power Packet Error Rate over TX and RX BSSID, Encryption Mode (router tests)
<b>Networks</b>	802.11b/g @ 2.4 GHz
<b>Connectors</b>	DC Power Supply USB Interface (Type B) RF Connection (SMA, female)
<b>Size [mm]</b>	37 x 32 x 10
<b>Scope of Delivery</b>	1491 WiFi Connectivity Test Package contains: <ul style="list-style-type: none"> <li>4943 WiFi Adapter</li> <li>7363 WiFi Connectivity Test License</li> <li>Tapper DN-14FN, 1000:1</li> <li>N (male) – SMA (male) RF cable</li> <li>N (male) – N (male) RF cable</li> <li>USB cable</li> </ul>
<b>Ordering Details</b>	
4943 WiFi Adapter	AG 860 481
1491 WiFi Connectivity Test Package	AG 248 499
Power Supply for 4943 WiFi Adapter (needed when using passive USB hubs)	
EU Version	AG 860 554
USA Version	AG 860 555
UK Version	AG 860 556
7363 WiFi Connectivity Test License	AG 897 336
Tapper DN-14FN, 1000:1	AG 896 127
N (male) – SMA (male) RF Cable	AG 382 882

## 4944 WIFI TEST KIT

<b>Supported Tests</b>	MAC Address Packet Error Rate over TX and RX
<b>Networks</b>	802.11b/g @ 2.4 GHz
<b>Connectors</b>	DC Power Supply USB Interface Type A RF Connection to Device Under Test Type N (female) RF Connection to RF Tester Type N (female)
<b>Size [mm]</b>	385 x 210 x 77
<b>Scope of Delivery</b>	4944 WiFi Test Kit contains: <ul style="list-style-type: none"> <li>WiFi test box</li> <li>N (male) – N (male) RF cable</li> <li>USB cable (Type A to Type A)</li> <li>Power supply</li> <li>Manual Pack: 4944 WiFi Test Kit</li> </ul>
<b>Ordering Details</b>	
4944 WiFi Test Kit	AG 248 498
7363 WiFi Connectivity Test License	AG 897 336

### CHINA

Tel: [+86] (10) 6467 2823  
Fax: [+86] (10) 6467 2821

### EUROPE

Tel: [+44] (0) 1438 742200  
Fax: [+44] (0) 1438 727601

### FRANCE

Tel: [+33] 1 60 79 96 00  
Fax: [+33] 1 60 77 69 22

### HONG KONG

Tel: [+852] 2832 7988  
Fax: [+852] 2834 5364

### SCANDINAVIA

Tel: [+45] 9614 0045  
Fax: [+45] 9614 0047

### SPAIN

Tel: [+34] (91) 640 11 34  
Fax: [+34] (91) 640 06 40

### UNITED KINGDOM

Tel: [+44] (0) 1438 742200  
Toll Free: [+44] (0800) 282 388 (UK only)  
Fax: [+44] (0) 1438 727601

### USA

Tel: [+1] (316) 522 4981  
Toll Free: [+1] (800) 835 2352 (US only)  
Fax: [+1] (316) 522 1360



As we are always seeking to improve our products, the information in this document gives only a general indication of the product capacity, performance and suitability, none of which shall form part of any contract. We reserve the right to make design changes without notice. All trademarks are acknowledged. Parent company Aeroflex, Inc. ©Aeroflex 2003.

[www.aeroflex.com](http://www.aeroflex.com)  
[info-test@eroflex.com](mailto:info-test@eroflex.com)



Our passion for performance is defined by three attributes represented by these three icons: solution-minded, performance-driven and customer-focused.